


SK 20-D

Order No.: 3026887




<http://eshop.phoenixcontact.de/phoenix/treeViewClick.do?UID=3026887>

Shield connection terminal block, for applying the shield directly to the conductive mounting plates

Commercial data	
GTIN (EAN)	 4 017918 820275
sales group	A502
Pack	10 pcs.
Customs tariff	85369010
Catalog page information	Page 678 (CL-2009)

Product notes

WEEE/RoHS-compliant since:
02/15/2005

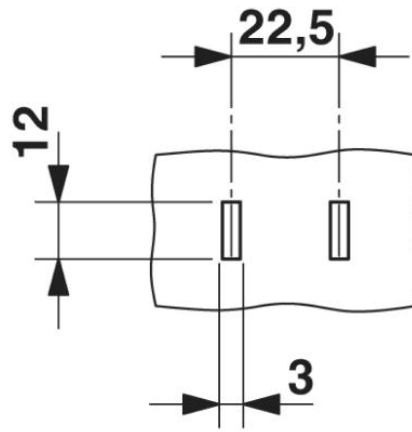
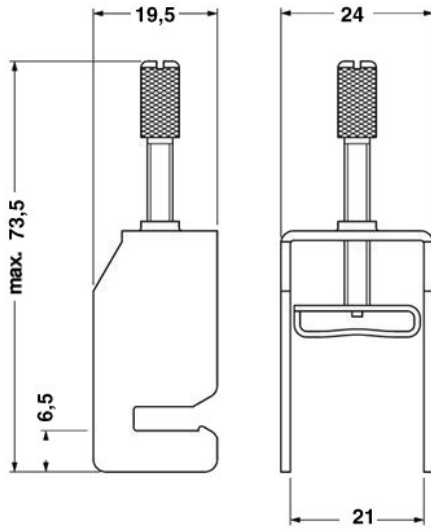


<http://www.download.phoenixcontact.com>
Please note that the data given here has been taken from the online catalog. For comprehensive information and data, please refer to the user documentation. The General Terms and Conditions of Use apply to Internet downloads.

Technical data	
General	
Color	silver
Connection data	
Tightening torque max	0.8 Nm

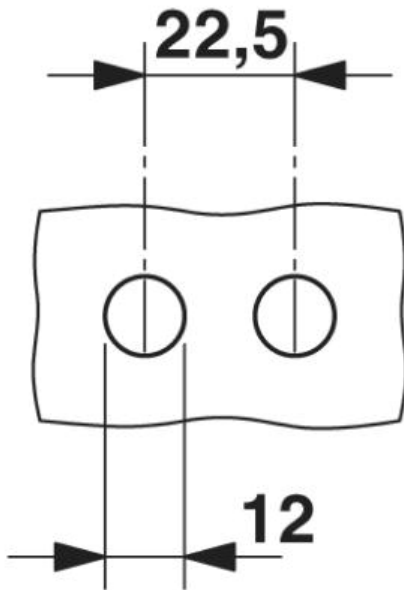
Diagrams/Drawings

Dimensioned drawing



Punching template

Drilling diagram



Address

PHOENIX CONTACT Deutschland GmbH
Flachsmarktstr. 8
32825 Blomberg, Germany
Phone +49 5235 3 12000
Fax +49 5235 3 41200
<http://www.phoenixcontact.de>



© 2011 Phoenix Contact
Technical modifications reserved;