


# KGG-MC 1,5/15

Order No.: 1834479




<http://eshop.phoenixcontact.de/phoenix/treeViewClick.do?UID=1834479>

Cable housing, Pitch: 0 mm, Number of positions: 15, Dimension a: 59.54 mm, Color: green

Commercial data	
GTIN (EAN)	 4 017918 110819
sales group	E191
Pack	10 pcs.
Customs tariff	85472000
Catalog page information	Page 191 (CC-2009)

**Product notes**

WEEE/RoHS-compliant since: 01/01/2003



<http://www.download.phoenixcontact.com>  
Please note that the data given here has been taken from the online catalog. For comprehensive information and data, please refer to the user documentation. The General Terms and Conditions of Use apply to Internet downloads.

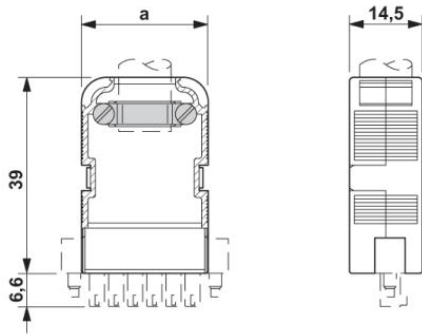
## Accessories

Item	Designation	Description
<b>Marking</b>		
1839050	KGG-MC 1,5/ DST	Transparent label carrier, can be marked with marker strips SBS 10
1007248	SBS10:UNBEDRUCKT	Marker cards, unprinted, for individual labeling with the M-PEN, 250-section, perforated, white plastic

## Diagrams/Drawings

Dimensioned drawing

---



**Address**

PHOENIX CONTACT Inc., USA  
586 Fulling Mill Road  
Middletown, PA 17057, USA  
Phone (800) 888-7388  
Fax (717) 944-1625  
<http://www.phoenixcon.com>



© 2011 Phoenix Contact  
Technical modifications reserved;