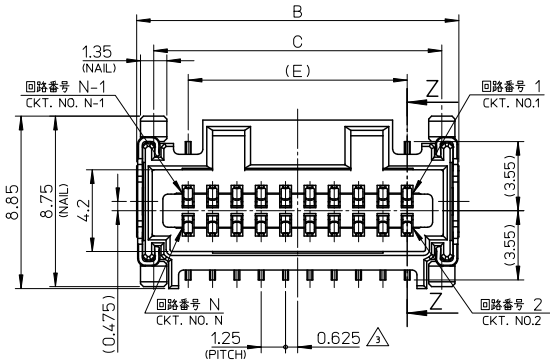
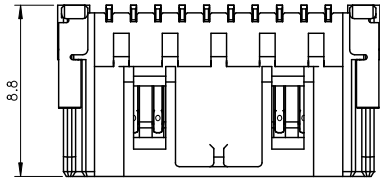
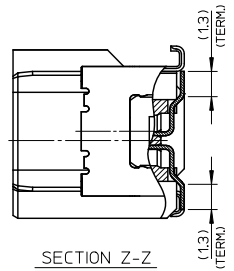
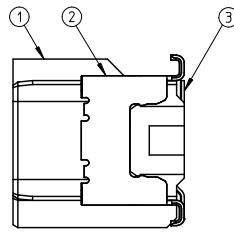


10 9 8 7 6 5 4 3 2 1

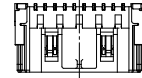


NOTES

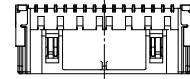
1. 嵌合相手: 503110-****.
MATE WITH: 503110-****.
2. 端子テール部 及び ネイルの平坦度: 0.1MAX.
TAIL AND NAIL COPLANARITY TO BE 0.1 MAX.
- △ 極数/2=偶数に適用。
APPLY FOR CKT. SIZE / 2 = EVEN.
4. 端子テール部 及び ネイルに錫めっきを使用しているため、
外觀に摺動痕が付く場合が御座います。
THE WOUND OF FRICTION MIGHT ADHERE TO EXTERNALS
BECAUSE THE TIN PLATING IS USED FOR THE TAIL AND NAIL.
5. 本製品のプラスチック部に黒点等が確認される場合や
色合いが異なる場合がありますが、製品性能に影響はありません。
THERE IS NO INFLUENCE IN THE PRODUCT PERFORMANCE THOUGH
THE BLACK SPOT ETC. MIGHT BE CONFIRMED TO THE PLASTIC PART
OF THIS PRODUCT AND THE SHADE MIGHT BE DIFFERENT.
6. 本製品のプラスチック部に黒点等が確認される場合や
色合いが異なる場合がありますが、製品性能に影響はありません。
THERE IS NO INFLUENCE IN THE PRODUCT PERFORMANCE THOUGH
THE BLACK SPOT ETC. MIGHT BE CONFIRMED TO THE PLASTIC PART
OF THIS PRODUCT AND THE SHADE MIGHT BE DIFFERENT.



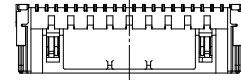
SECTION Z-Z



20ckt.



30ckt.



40ckt.

極数の種類 (正面図)
KIND OF CKT. NO. (FRONT VIEW)

17	23.75	25.3	27.3	29.05	29.5	501931-4070	40
10.75	17.5	19.05	21.05	22.8	23.25	501931-3070	30
4.5	11.25	12.8	14.8	16.55	17	501931-2070	20
F	E	D	C	B	A	EMBOSSED PACKAGE オーダー番号 ORDER No.	極数 CIRCUITS

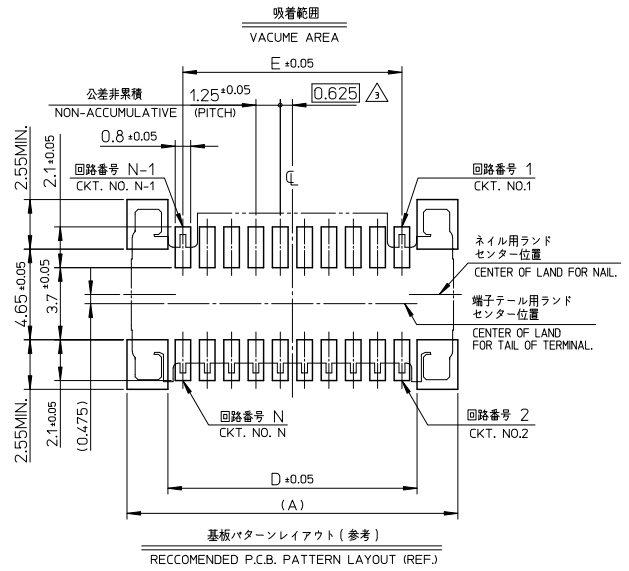
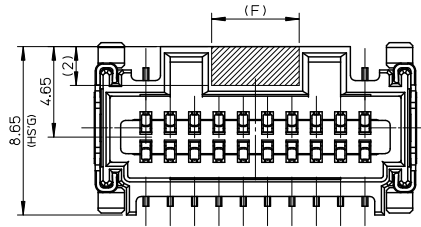
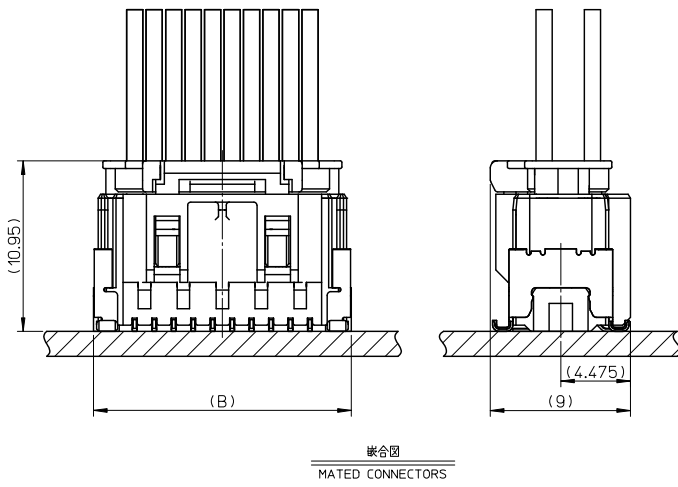
CONNECTOR SERIES No. 501931-**00

番号 NO.	部品 PART	材質 MATERIAL
①	ハウジング HOUSING	ポリアミド (PA) UL94V-0 色: 自然色 POLYAMIDE (PA) UL94V-0 COLOR:NATURAL
②	ターミナル TERMINAL	銅合金 COPPER ALLOY 金めっき (接点部): 0.1 micro-meter MIN. GOLD (CONTACT AREA) 錫めっき (テール部): 1.0 micro-meter MIN. TIN (TAIL AREA) ニッケルめっき (下地): 1.0 micro-meter MIN. NICKEL (UNDER PLATING)
③	ネイル NAIL	銅合金 COPPER ALLOY 錫めっき: 1.0 micro-meter MIN. TIN ニッケルめっき (下地): 1.0 micro-meter MIN. NICKEL (UNDER PLATING)

REVISED EC NO: J2010-115 DRAWN: YOSHIKAWA 2009/12/03 CHKD: ASAKAWA APPR: NIKITA 2009/12/07	GENERAL TOLERANCES (UNLESS SPECIFIED)		DIMENSION STYLE MM ONLY		SCALE 5:1	DESIGN UNITS METRIC	THIRD ANGLE PROJECTION
	10 UNDER	±0.2	DRAWN BY T. MIYAZAKI	DATE 2006/03/13	TITLE 1.25 W/B CONN. DUAL S/T REC. ASSY		
	10 OVER 30 UNDER	±0.25	CHECKED BY K. ASAKAWA	DATE 2006/03/13	MOLEX INCORPORATED		
	30 OVER	±0.3	APPROVED BY S. ICHIKAWA	DATE 2006/03/13	DOCUMENT NO. SD-501931-001		
	ANGULAR ±3°	DRAFT WHERE APPLICABLE MUST REMAIN WITHIN DIMENSIONS	MATERIAL NO. SEE TABLE		SHEET NO. 1 OF 2		
SIZE A3		THIS DRAWING CONTAINS INFORMATION THAT IS PROPRIETARY TO MOLEX INCORPORATED AND SHOULD NOT BE USED WITHOUT WRITTEN PERMISSION					

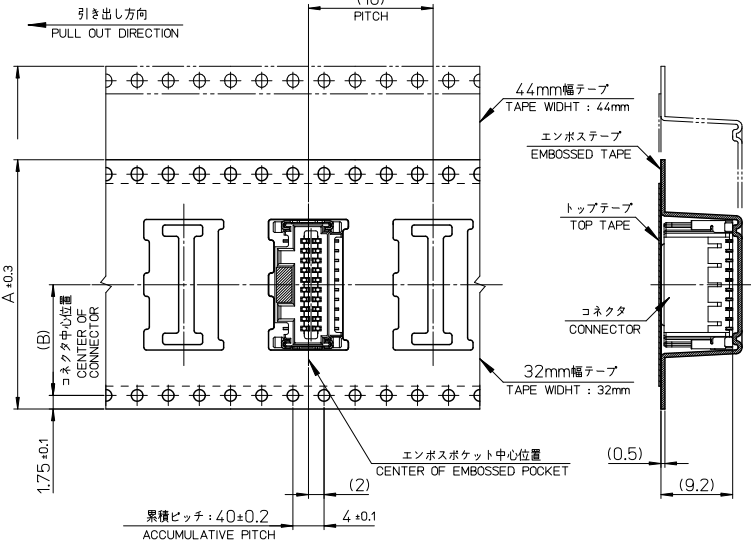
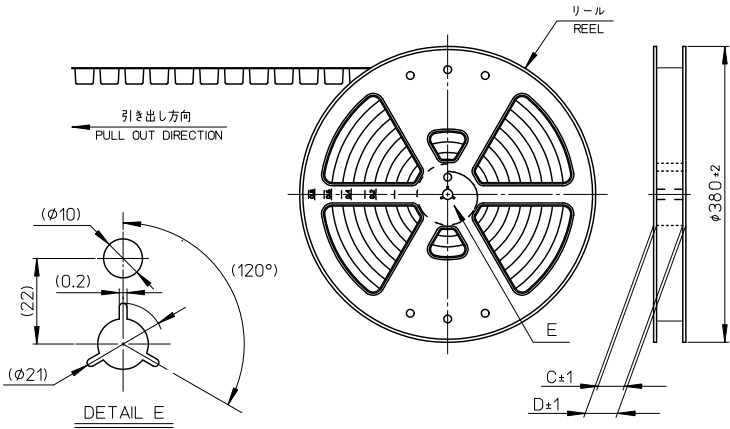
ib_frame_A3_J_ME.S Rev. E 2006/04/15 9 8 7 6 5 4 3 2 1 EN-02JA(021)

10 9 8 7 6 5 4 3 2 1



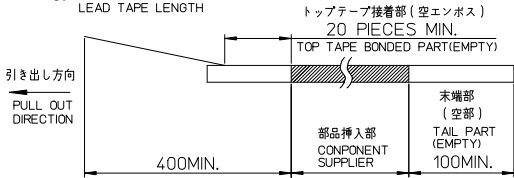
REVISED EC NO: J2010-115 DRAWN: YOSHIKAWA 2009/12/03 CHKD: K. ASAKAWA 2009/12/07 APPR: N. ICHIKAWA 2009/12/07	GENERAL TOLERANCES (UNLESS SPECIFIED)		DIMENSION STYLE MM ONLY		SCALE 5:1	DESIGN UNITS METRIC	THIRD ANGLE PROJECTION	
	10 UNDER	±0.2	DRAWN BY T. MIYAZAKI	DATE 2006/03/13	TITLE 1.25 W/B CONN. DUAL S/T REC. ASSY			
	10 OVER 30 UNDER	±0.25	CHECKED BY K. ASAKAWA	DATE 2006/03/13	MOLEX INCORPORATED			
	30 OVER	±0.3	APPROVED BY S. ICHIKAWA	DATE 2006/03/13	DOCUMENT NO. SD-501931-001			
REV	DESCRIPTION	ANGULAR ±3°	MATERIAL NO. SEE SHEET 1	SHEET NO. 2 OF 2				
DRAFT WHERE APPLICABLE MUST REMAIN WITHIN DIMENSIONS		THIS DRAWING CONTAINS INFORMATION THAT IS PROPRIETARY TO MOLEX INCORPORATED AND SHOULD NOT BE USED WITHOUT WRITTEN PERMISSION						

10 9 8 7 6 5 4 3 2 1



NOTES

- 製品詳細寸法については、SD-501931-001 を参照下さい。
PLEASE REFER TO SD-501931-001 FOR THE DETAILED DIMENSION OF THE CONNECTOR.
- 梱包数量 : 550個
NUMBER OF CONNECTORS : 550 PIECES/REEL.
- リードテープ長さ
LEAD TAPE LENGTH



- 材料 MATERIAL
キャリアテープ: ポリスチレン (PS)
CARRIER TAPE: POLYSTYRENE (PS)
トップテープ: ポリエステル (PET)、その他
TOP TAPE: POLYESTER (PET)、OTHER
リール: ポリスチレン (PS) <リサイクル材を含む>
REEL: POLYSTYRENE (PS) <RECYCLE MATERIAL CONTAINED>
- ELV 及び RoHS 適合品
ELV AND RoHS COMPLIANT

49.4	45.4	20.2	44	44	501931-4070	40
49.4	45.4	20.2	44	44	501931-3070	30
37.4	33.4	14.2	32	32	501931-2070	20
D	C	B	A	エンボステープ幅 A WIDTH OF TAPE	EMBOSSED PACKAGE	極数 CIRCUITS
CONNECTOR SERIES No. 501931-**00						オーダー番号 ORDER No.

RELEASED EC NO: J2010-115 DRAWN: YOSHIKAWA CHKD: ASAKAWA APPR: NIKITA	2009/12/03	2009/12/07	2009/12/07	GENERAL TOLERANCES (UNLESS SPECIFIED)		DIMENSION STYLE MM ONLY		SCALE ---	DESIGN UNITS METRIC	THIRD ANGLE PROJECTION
	10 UNDER	±0.2	10 OVER 30 UNDER	±0.25	30 OVER	±0.3	DRAWN BY T. MIYAZAKI	DATE 2006/03/13	TITLE 1.25 W/B CONN. DUAL S/T REC. EMBTP PKG	
	ANGULAR	±3 °	DRAFT WHERE APPLICABLE MUST REMAIN WITHIN DIMENSIONS		APPROVED BY S. ICHIKAWA		DATE 2006/03/13	MOLEX INCORPORATED		
	MATERIAL NO. SEE TABLE		DOCUMENT NO. SD-501931-002		SHEET NO. 1 OF 1		THIS DRAWING CONTAINS INFORMATION THAT IS PROPRIETARY TO MOLEX INCORPORATED AND SHOULD NOT BE USED WITHOUT WRITTEN PERMISSION			