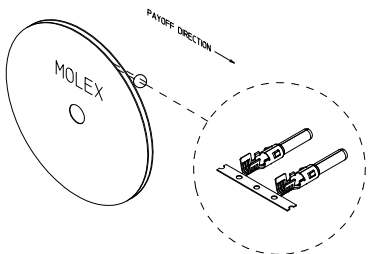
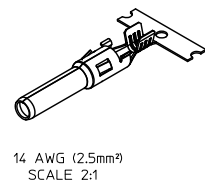
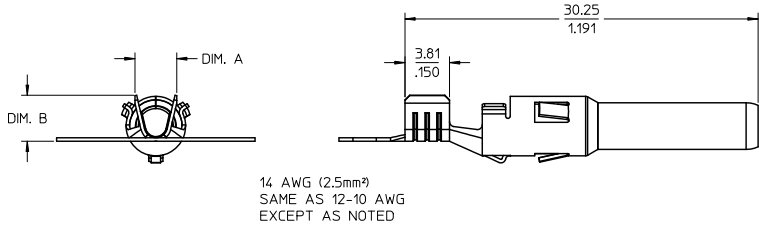
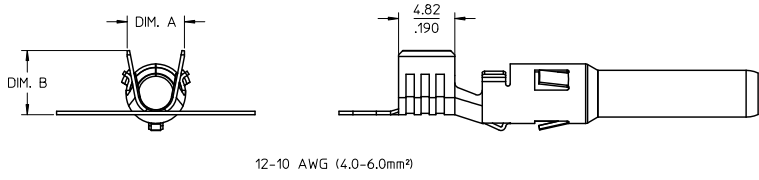
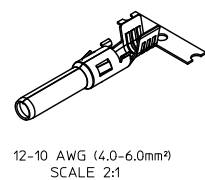
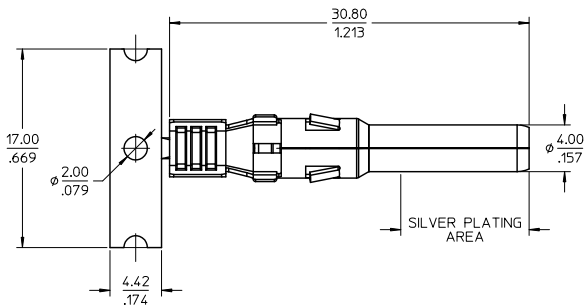


MATERIAL NO. ON STRIP	MATERIAL NO. LOOSE PIECE	CABLE SIZE	DIM. "A"	DIM. "B"	USE WITH HOUSING ASSY
1301960315	1301960313	2.5mm ² / 14AWG	3.58/.141	3.94/.155	1302440204
1301960314	1301960310	4.0-6.0mm ² / 12-10AWG	4.90/.193	5.51/.217	1302440202



- NOTES:
1. MATERIAL: COPPER ALLOY 0.30/.012 THK.
 2. FINISH: 2.0METER/80INCH MIN. SELECTIVE SILVER OVER 1.27METER/50INCH MIN. NICKEL OVERALL.
 3. TERMINAL FOR USE WITH 130244 SERIES PIN HOUSING ASSEMBLY. SEE CHART FOR APPLICABLE PART NUMBERS.
 4. PRODUCT SPECIFICATION: PS-130244-001
 5. STRIP TERMINALS ARE REELED AS SHOWN ABOVE ON XXX SIZE REELS. XXX PARTS PER REEL.
 6. APPLICATION TOOLING AND CRIMP SPECIFICATIONS: CONSULT FACTORY.
 7. PARTS ARE ROHS COMPLIANT.

PRELIMINARY EC NO: WNA2011-095 2 DRAWN: CLYORK 2010/11/24 CHKD: DTITUS APPR: DTITUS 2011/01/14 REV:	QUALITY SYMBOLS ▽=0 ▽=0	GENERAL TOLERANCES (UNLESS SPECIFIED) mm INCH 4 PLACES ±.--- ±.--- 3 PLACES ±.--- ±.010 2 PLACES ±0.25 ±.02 1 PLACE ±0.5 ±.--- ANGULAR ± 3 °		DIMENSION STYLE MM/IN DRAWN BY DATE CLYORK 2010/04/15 CHECKED BY DATE DTITUS 2010/04/15 APPROVED BY DATE DTITUS 2010/05/07		SCALE 4:1	DESIGN UNITS METRIC	THIRD ANGLE PROJECTION
		DRAFT WHERE APPLICABLE MUST REMAIN WITHIN DIMENSIONS				MATERIAL NO. SEE CHART	DOCUMENT NO. SD-130196-001	SHEET NO. 1 OF 1

TITLE
PIN CONTACT, PV SOLAR
14 & 12-10 AWG

MOLEX INCORPORATED

THIS DRAWING CONTAINS INFORMATION THAT IS PROPRIETARY TO MOLEX INCORPORATED AND SHOULD NOT BE USED WITHOUT WRITTEN PERMISSION