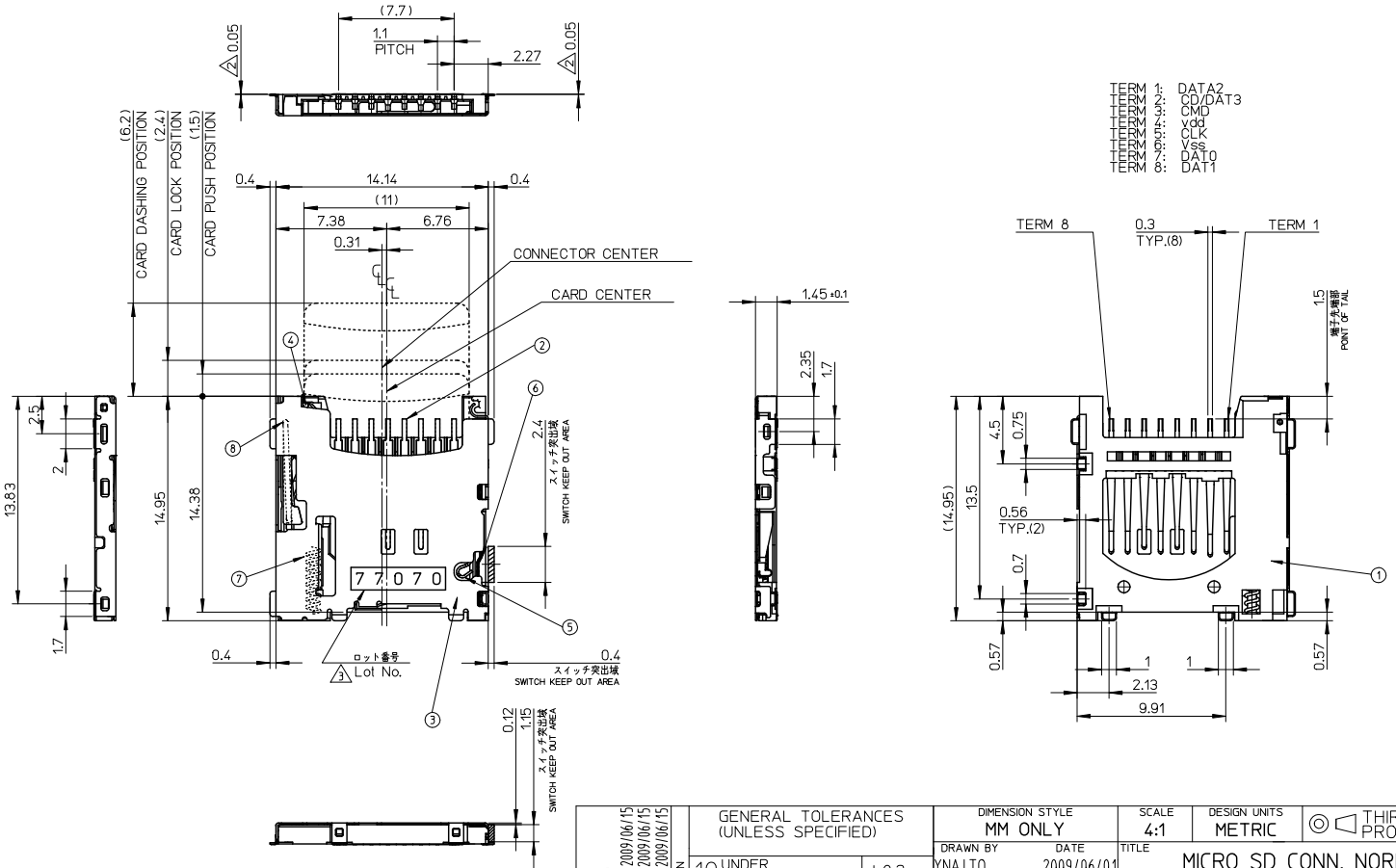


CONFIDENTIAL



Pinout information:
 1: DATA2
 2: CD/DAT3
 3: CMD
 4: VDD
 5: CLK
 6: VSS
 7: DAT0
 8: DAT1

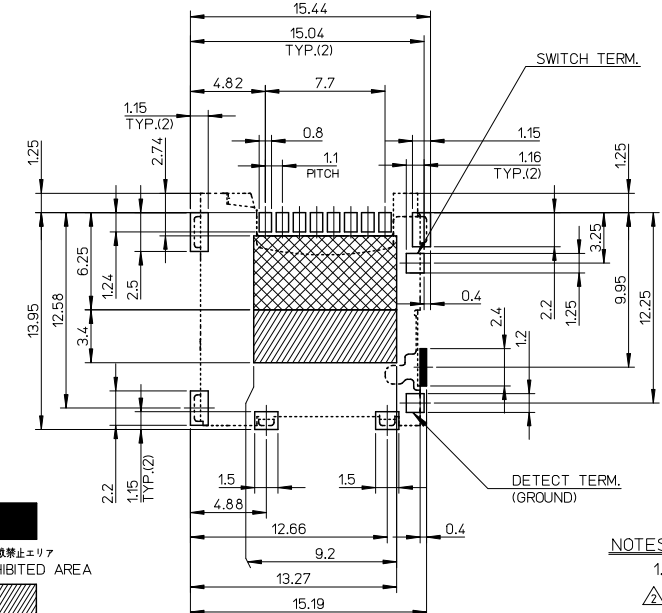
503182-0852	503182-0842	503182-08**
EMBOSSD TAPE	MATERIAL NO.	MODEL NO.
ORDER No. オーダー番号		

RELEASED EC NO: J2009-2810 2009/06/15 DRAWN: YNAITO 2009/06/15 CHK: MTOMITA 2009/06/15 APPR: MSASAO 2009/06/15 (REV)	GENERAL TOLERANCES (UNLESS SPECIFIED)		DIMENSION STYLE MM ONLY		SCALE 4:1	DESIGN UNITS METRIC	THIRD ANGLE PROJECTION	
	10 UNDER	±0.2	DRAWN BY YNAITO		DATE 2009/06/01		TITLE MICRO SD CONN. NORMAL ULTRA LOW-PROFILE ASSY	
	10 OVER 30 UNDER	±0.25	CHECKED BY MTOMITA		DATE 2009/06/01		MOLEX INCORPORATED	
	30 OVER	±0.3	APPROVED BY MSASAO		DATE 2009/06/01		DOCUMENT NO. SD-503182-003	
ANGULAR ±1 °			MATERIAL NO. SEE CHART		SHEET NO. 1 OF 2			
DRAFT WHERE APPLICABLE MUST REMAIN WITHIN DIMENSIONS			THIS DRAWING CONTAINS INFORMATION THAT IS PROPRIETARY TO MOLEX INCORPORATED AND SHOULD NOT BE USED WITHOUT WRITTEN PERMISSION					

tb_frame_A3_J_AM_S
Rev. E 2006/04/15

EN-02DA(021)

10 9 8 7 6 5 4 3 2 1



部品搭載禁止エリア
PROHIBITED AREA

パターン禁止エリア
PATTERN PROHIBITION AREA

半田付け禁止エリア
SOLDER PROHIBITION AREA

RECOMMENDED
PCB PATTERN LAYOUT
(GENERAL TOLERANCE : ±0.05)

番号 No.	名称 NAME	材料 MATERIAL
①	ハウジング HOUSING	液晶ポリマー(LCP) LIQUID CRYSTAL POLYMER (LCP)
②	ターミナル TERMINAL	銅合金、接点部：金めっき 半田付部：錫めっき 下地：ニッケルめっき COPPER ALLOY, CONTACT AREA:GOLD TAIL AREA:TIN UNDER PLATING:NICKEL
③	メタルシェル METAL SHELL	ステンレス鋼、半田付け部：金めっき 下地：ニッケルめっき STAINLESS STEEL, CONTACT AREA:GOLD UNDER PLATING:NICKEL
④	カムスライダー CAM SLIDER	液晶ポリマー(LCP) LIQUID CRYSTAL POLYMER (LCP)
⑤	ディテクトネイル DETECT NAIL	銅合金、接点部：金めっき 半田付部：金めっき 下地：ニッケルめっき COPPER ALLOY, CONTACT AREA:GOLD TAIL AREA:GOLD UNDER PLATING:NICKEL
⑥	スイッチネイル SWITCH NAIL	銅合金、接点部：金めっき 半田付部：金めっき 下地：ニッケルめっき COPPER ALLOY, CONTACT AREA:GOLD TAIL AREA:GOLD UNDER PLATING:NICKEL
⑦	スプリング SPRING	ピアノ線 SWP
⑧	カムピン CAM PIN	ステンレス鋼 STAINLESS STEEL

CONFIDENTIAL

NOTES

- ターミナル及びネイルの平坦度は0.1MAX.とする。
COPLANARITY OF TERMINAL AND NAIL IS TO BE 0.1MAX.
- スタンドオフ寸法
DIMENSIONS OF STAND OFF.
- ロット印字は任意とする
LOT NUMBERING IS TO BE OPTIONAL.
- 肉抜き位置は任意とする
CAVITY IS TO BE OPTIONAL.
- カード検知スイッチ
DETECT SWITCH
- ELV及びRoHS適合品
ELV AND RoHS COMPLIANT.

カード挿入時 CARD INSERTING POSITION	クローズ CLOSED
カード未挿入時 NO CARD POSITION	オープン OPEN

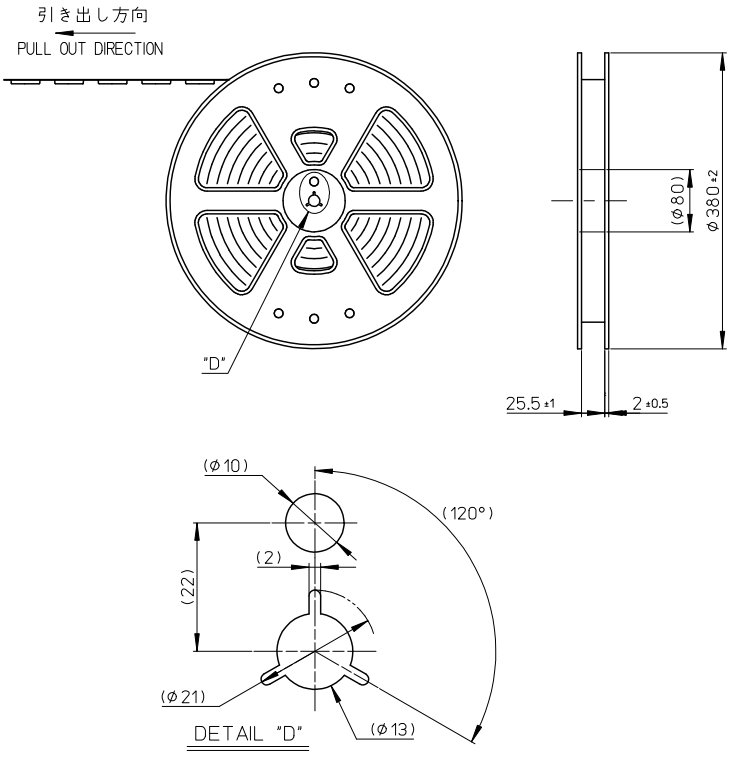
ロットNo. : 7 7 0 7 0
 西暦(1桁目) MONTH 7 : 7月
 THE YEAR OF GRACE A : 10月
 7 : 2007年 B : 11月
 C : 12月 DAY 07 : 07日

SEE SHEET 1 OF 2 EC NO: J2009-2810 DRAWN BY: YNAITO 2009/06/15 CHKD BY: MTOMITA 2009/06/15 APPR: MSASAO 2009/06/15	GENERAL TOLERANCES (UNLESS SPECIFIED)		DIMENSION STYLE MM ONLY		SCALE 4:1	DESIGN UNITS METRIC	THIRD ANGLE PROJECTION
	10 UNDER	±0.2	DRAWN BY YNAITO	DATE 2009/06/01	TITLE MICRO SD CONN. NORMAL ULTRA LOW-PROFILE ASSY		
	10 OVER 30 UNDER	±0.25	CHECKED BY MTOMITA	DATE 2009/06/01	MOLEX INCORPORATED		
	30 OVER	±0.3	APPROVED BY MSASAO	DATE 2009/06/01	MATERIAL NO. SEE CHART	DOCUMENT NO. SD-503182-003	SHEET NO. 2 OF 2
ANGULAR ±1 °		DRAFT WHERE APPLICABLE MUST REMAIN WITHIN DIMENSIONS		THIS DRAWING CONTAINS INFORMATION THAT IS PROPRIETARY TO MOLEX INCORPORATED AND SHOULD NOT BE USED WITHOUT WRITTEN PERMISSION			

tb_frame_A3_J_AM_S
Rev. E 2006/04/15

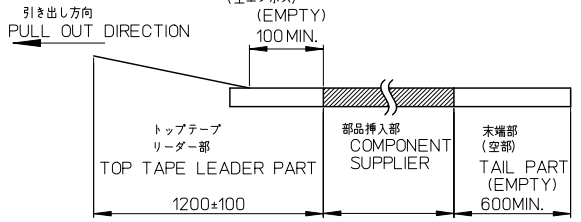
EN-02DA(021)

CONFIDENTIAL



NOTES

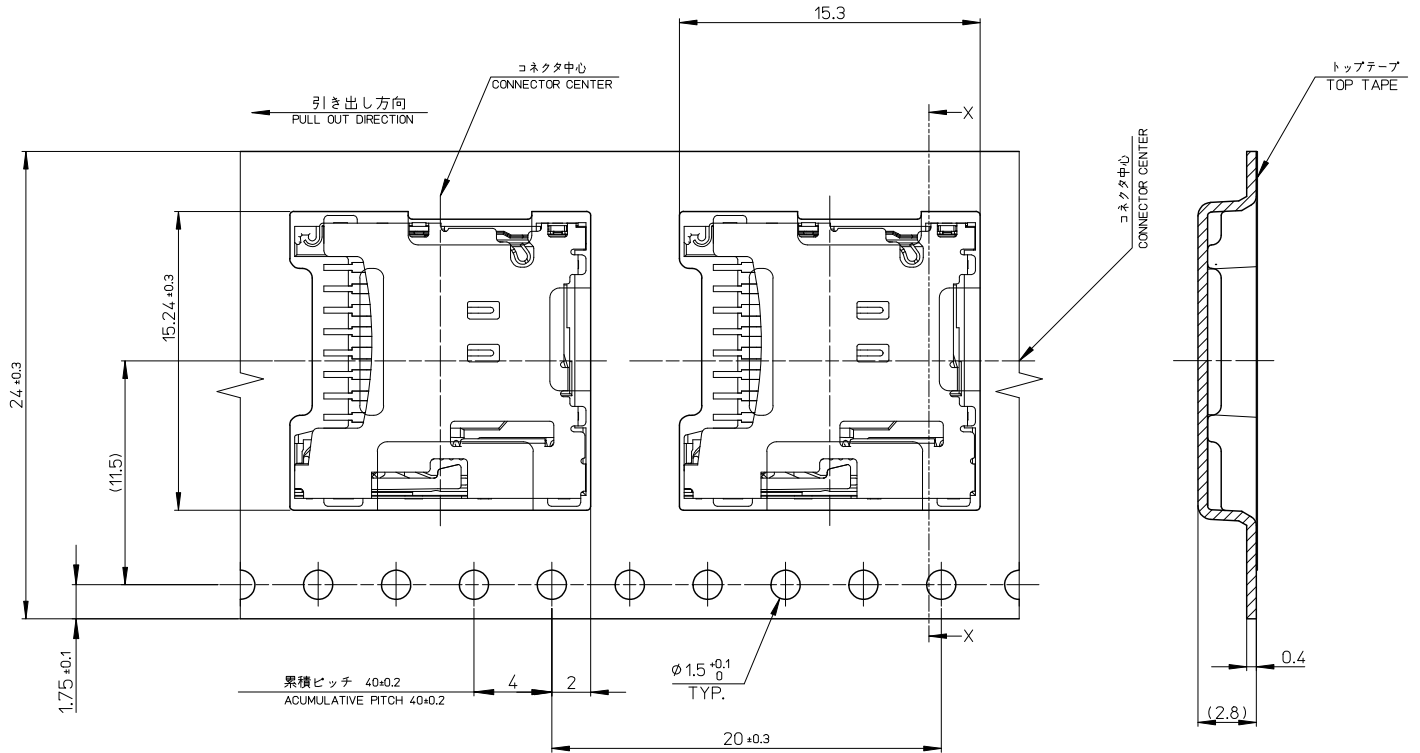
- 製品詳細寸法は製品単体図面を参照して下さい。
FOR DETAIL OF CONNECTOR DIMENSIONS, PLEASE SEE THE DRAWING OF CONNECTOR ITSELF (NOT PACKAGED).
- 梱包数量: 1600個/リール
NUMBER OF CONNECTORS: 1600 PCS/REEL.
- リードテープ長さ LEAD TAPE LENGTH.
トップテープ接着部 (空エンボス) (EMPTY) 100MIN.
トップテープ リーダー部 TOP TAPE LEADER PART
部品挿入部 COMPONENT SUPPLIER
末端部 (空部) TAIL PART (EMPTY) 600MIN.
1200±100
- 材料 MATERIAL
キャリアテープ(CARRIER TAPE): ポリスチレン (POLYSTYRENE)
トップテープ(TOP TAPE): PET, PE, PEF
リール(REEL): ポリスチレン(PS)<リサイクル材含む> POLYSTYRENE (PS)<RECYCLE MATERIAL CONTAINED>
- ELV AND RoHS COMPLIANT



503182-0842	503182-0852	503182-08**
CONNECTOR ONLY	ORDER No. オーダー番号	MODEL NO.

RELEASED EC NO: J2009-2810 DRW: YNAITO 2009/06/15 CHK: MTOMITA 2009/06/15 APPR: MSASAO 2009/06/15 A	GENERAL TOLERANCES (UNLESS SPECIFIED)		DIMENSION STYLE MM ONLY		SCALE ---	DESIGN UNITS METRIC	THIRD ANGLE PROJECTION
	10 UNDER	±0.2	DRAWN BY YNAITO	DATE 2009/06/01	TITLE MICRO SD CONN. ULTRA LOW-PRO EMBOSSED TAPE PACKAGE		
	10 OVER 30 UNDER	±0.25	CHECKED BY MTOMITA	DATE 2009/06/01	MOLEX INCORPORATED		
	30 OVER	±0.3	APPROVED BY MSASAO	DATE 2009/06/01	DOCUMENT NO. SD-503182-004	SHEET NO. 1 OF 2	
	ANGULAR ±1 °	DRAFT WHERE APPLICABLE MUST REMAIN WITHIN DIMENSIONS		MATERIAL NO. SEE CHART	THIS DRAWING CONTAINS INFORMATION THAT IS PROPRIETARY TO MOLEX INCORPORATED AND SHOULD NOT BE USED WITHOUT WRITTEN PERMISSION		

CONFIDENTIAL



SECTION. X-X

SEE SHEET 1 OF 2 EC NO: J2009-2810 DRW:YNAITO 2009/06/15 CHK:MTOMITA 2009/06/15 APPR:MSASAO 2009/06/15	GENERAL TOLERANCES (UNLESS SPECIFIED)		DIMENSION STYLE MM ONLY		SCALE 5:1	DESIGN UNITS METRIC	THIRD ANGLE PROJECTION
	10 UNDER	±0.2	DRAWN BY YNAITO		DATE 2009/06/01		TITLE MICRO SD CONN. ULTRA LOW-PRO EMBOSSED TAPE PACKAGE MOLEX INCORPORATED
	10 OVER 30 UNDER	±0.25	CHECKED BY MTOMITA		DATE 2009/06/01		
	30 OVER	±0.3	APPROVED BY MSASAO		DATE 2009/06/01		
ANGULAR ±1 °		MATERIAL NO. SEE SHEET 1 OF 2		DOCUMENT NO. SD-503182-004		SHEET NO. 2 OF 2	
DRAFT WHERE APPLICABLE MUST REMAIN WITHIN DIMENSIONS		SIZE A3 THIS DRAWING CONTAINS INFORMATION THAT IS PROPRIETARY TO MOLEX INCORPORATED AND SHOULD NOT BE USED WITHOUT WRITTEN PERMISSION					