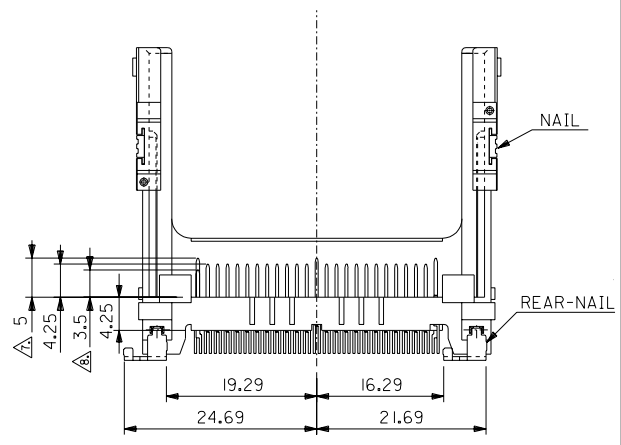
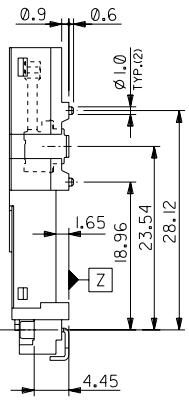
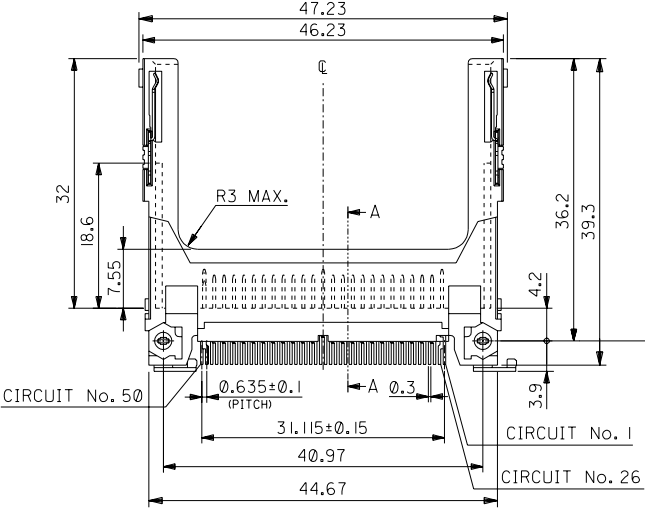
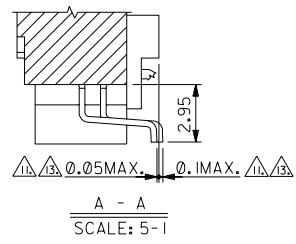
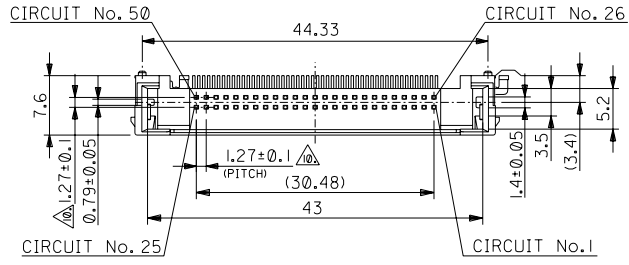


DWG. NO. SD-55358-014



DO NOT SCALE DRAWING

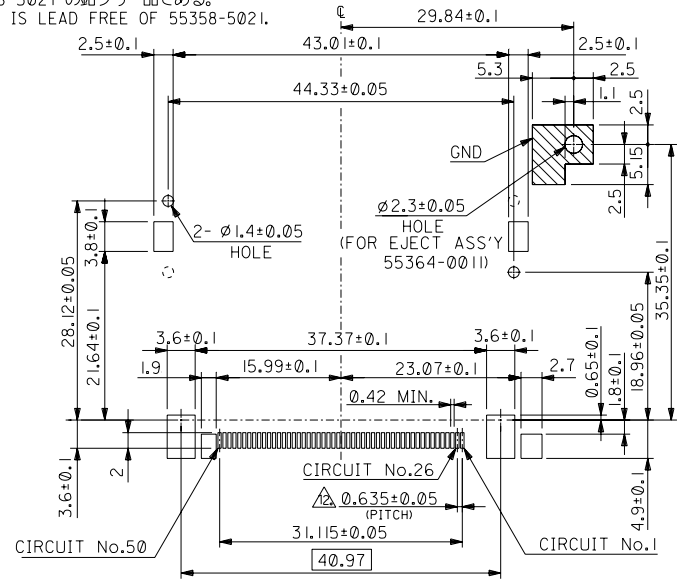
EC NO. DRWN: CHK: APPR:	EC NO. DRWN: CHK: APPR:	EC NO. DRWN: CHK: APPR:	EC NO. DRWN: CHK: APPR:	EC NO. DRWN: CHK: APPR:	EC NO. J2004-3952 DRWN: MANABEI '04/04/22 CHK: K.TOJO '04/04/22 APPR: MASASAO '04/04/22	MATERIAL 材料 SEE NOTES	GENERAL TOLERANCES: (UNLESS SPECIFIED) 一般公差	SCALE 2 - 1	DESIGN UNITS <input checked="" type="checkbox"/> mm <input type="checkbox"/> INCH	THIRD ANGLE PROJECTION	DIMENSIONS: <input type="checkbox"/> mm <input type="checkbox"/> INCH <input checked="" type="checkbox"/> mm ONLY	SHT REV
					RELEASED	FINISH 仕上付 SEE NOTES	10 UNDER 未満		DRAWN BY & DATE M.NABEI '04/04/22	TITLE: CF CARD CONN. 50P HEADER ASS'Y (TYPE I/II, NORMAL) -LEAD FREE-		REVISE ON CAD ONLY
					REV	WIRE RANGE 適用電線範囲	10 OVER 以上	+0.2	CHECKED BY & DATE K.TOJO '04/04/22			
						INS. RANGE 被覆外径	30 OVER 以上	+0.25	APPROVED BY & DATE H. Saito '04/04/22			
							ANGLE 角度	+0.3	CAD FILENAME SD-55358-014.S01	MATERIAL NO. SEE CHART	DRAWING NO. SD-55358-014	SHEET NO. 1 OF 2

55358-5028	55358-5029	55358-50**
HARD TRAY PACKAGE	MATERIAL No.	MODEL No.
MOLEX INCORPORATED		
THIS DRAWING CONTAINS INFORMATION THAT IS PROPRIETARY TO MOLEX INCORPORATED AND SHOULD NOT BE USED WITHOUT WRITTEN PERMISSION.		
EN-02J(097) MXJ-54		SIZE B

DWG. NO. SD-55358-014

- 注) 1. 材質 MATERIAL
 ハウジング: ガラス入りLCP UL94V-0
 HOUSING: LIQUID CRYSTAL POLYMER G.F. UL94V-0
 ピン: リン青銅
 PIN: PHOSPHOR BRONZE
 ネール: リン青銅 (t0.3)
 NAIL: PHOSPHOR BRONZE (t0.3)
 リヤネール: リン青銅 (t0.48)
 REAR-NAIL: PHOSPHOR BRONZE (t0.48)
2. メッキ仕様 PLATING
 ピン 接点部: パラジウムニッケル下地、金メッキ
 CONTACT AREA: GOLD OVER PALLADIUM-NICKEL
 半田付け部: 錫メッキ
 SOLDER TAIL AREA: TIN
 下地メッキ: ニッケルメッキ
 UNDERPLATING: NICKEL OVER ALL
 ネール 接点部: 金メッキ
 CONTACT AREA: GOLD
 半田付け部: 錫メッキ
 SOLDER TAIL AREA: TIN
 下地メッキ: ニッケルメッキ
 UNDERPLATING: NICKEL OVER ALL
 リヤネール 錫メッキ
 REAR-NAIL TIN
 下地メッキ: ニッケルメッキ
 UNDERPLATING: NICKEL OVER ALL
3. 推奨基板厚: t=0.8 MIN.
 RECOMMENDED P.C.B. THICKNESS: t=0.8 MIN.
 4. 適合カード厚: 3.3±0.1 (TYPE I) AND 5 MAX. (TYPE II)
 RECOMMENDED CARD THICKNESS: 3.3±0.1 (TYPE I) AND 5 MAX. (TYPE II)
 5. 適合カード幅: 42.8±0.1
 RECOMMENDED CARD WIDTH: 42.8±0.1
 6. ハウジング色: 黒
 HOUSING COLOR: BLACK
- △ 寸法適用極: 1,13,38,50
 THIS DIMENSION APPLIES TO CIRCUIT NUMBERS 1,13,38 AND 50.
 △ 寸法適用極: 25,26
 THIS DIMENSION APPLIES TO CIRCUIT NUMBERS 25 AND 26.
 △ ピンの倒れは、ピン根元を基準に全方向へ0.1 MAX.とする。
 PIN TIP LEAN TOWARD ANY DIRECTION NOT TO EXCEED 0.1 WHEN MEASURED FROM PIN BASE.
 △ ピン根元に適用する。
 THIS DIMENSION TO BE MEASURED AT PIN BASE.

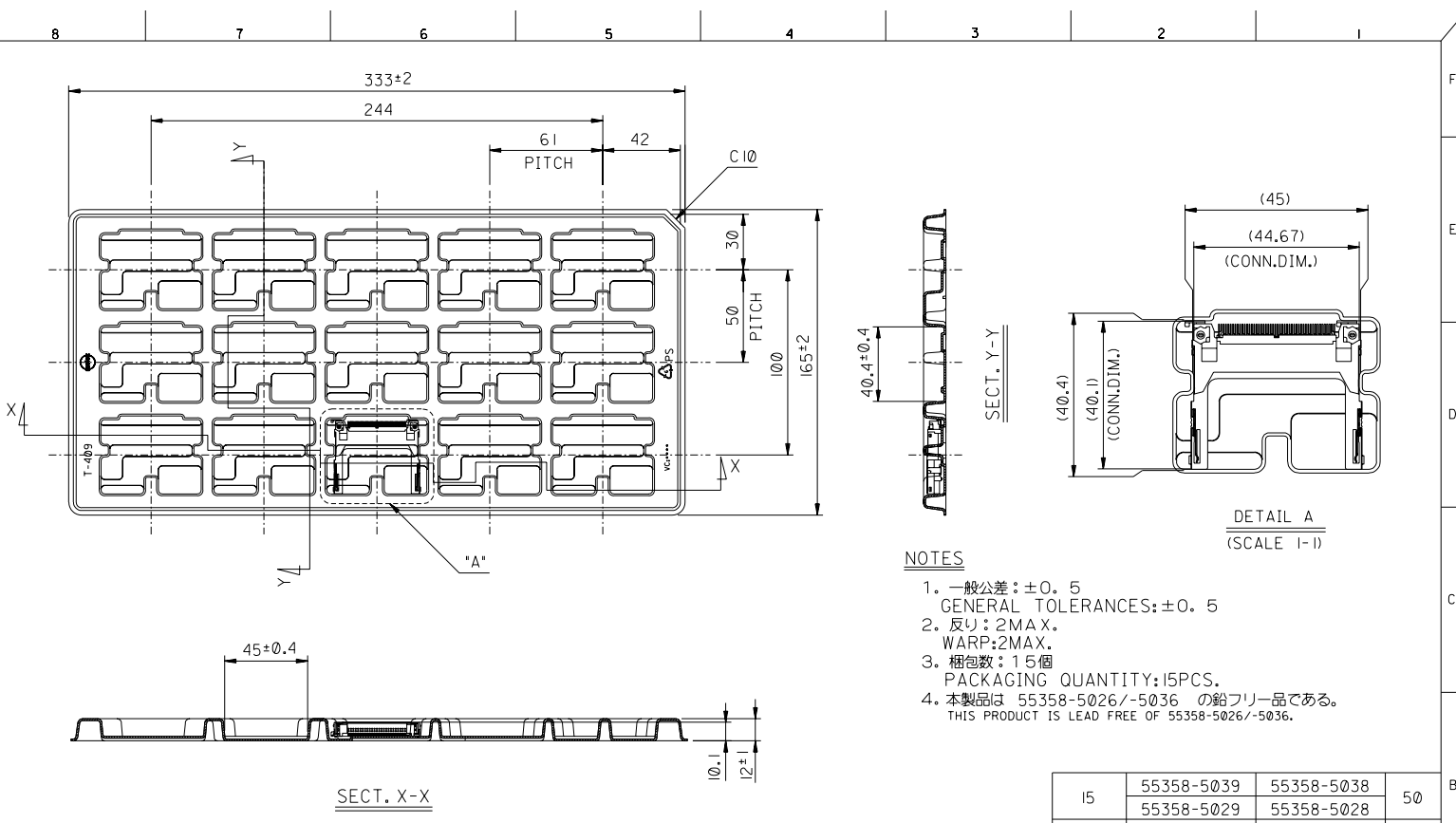
- △ ソルダータールは、Z面を基準とし上へ0.05下へ0.1の範囲にあり、目ツソルダータールの平坦度は、0.1 MAX.とし、テール先端にて測定する。
 SOLDER TAILS TO BE WITHIN 0.05 UPWARD AND 0.1 DOWNWARD FROM Z-DATUM PLACE, AND COPLANARITY OF SOLDER TAILS TO BE WITHIN 0.1. MEASUREMENT POINT IS SOLDER TAILS TIP.
- △ 公差非累積 NON-CUMULATIVE
 △ テールとネール、リヤネールを併せた平坦度は、0.1 MAX.とする。
 TOTAL COPLANARITY OF SOLDER TAILS, NAILS AND REAR-NAILS TO BE 0.1 MAX.
14. 本製品は 55358-5021 の鉛フリー品である。
 THIS PRODUCT IS LEAD FREE OF 55358-5021.



基板推奨寸法
 RECOMMENDED P.C.B. LAYOUT

DO NOT SCALE DRAWING	EC NO.	DRWN:	CHK:	APPR:	REV	DESCRIPTION	MATERIAL	GENERAL TOLERANCES:	SCALE	DESIGN UNITS	MODEL NO.	DIMENSIONS:	SHT	REV	
	EC NO.	DRWN:	CHK:	APPR:			SEE NOTES	(UNLESS SPECIFIED)	2 - 1	mm	INCH	THIRD ANGLE PROJECTION	mm ONLY		
	EC NO.	DRWN:	CHK:	APPR:			SEE NOTES	FINISH	10 UNDER	+0.2	DRAWN BY & DATE	TITLE:	mm ONLY		
	EC NO.	DRWN:	CHK:	APPR:			SEE NOTES	仕上り	10 OVER	+0.25	M.NABEI '04/04/22	CF CARD CONN.			
	EC NO.	DRWN:	CHK:	APPR:	REV	DESCRIPTION	WIRE RANGE	ANGLE	CHECKED BY & DATE	APPROVED BY & DATE	MATERIAL NO.	DRAWING NO.	SHEET NO.	SIZE	
	EC NO.	DRWN:	CHK:	APPR:	0	適用電線範囲	適用電線範囲	角度	K.TOJO '04/04/22	H. Saito '04/04/22	SD-55358-014	SD-55358-014	2	B	
	EC NO.	DRWN:	CHK:	APPR:		被覆外径									

CAD FILENAME: SD-55358-014.S02
 THIS DRAWING CONTAINS INFORMATION THAT IS PROPRIETARY TO MOLEX INCORPORATED AND SHOULD NOT BE USED WITHOUT WRITTEN PERMISSION.
 EN-02J(097) MJJ-54



- NOTES**
1. 一般公差 : ±0.5
GENERAL TOLERANCES : ±0.5
 2. 反り : 2MAX.
WARP : 2MAX.
 3. 梱包数 : 15個
PACKAGING QUANTITY : 15PCS.
 4. 本製品は 55358-5026/-5036 の鉛フリー品である。
THIS PRODUCT IS LEAD FREE OF 55358-5026/-5036.

15	55358-5039	55358-5038	50
	55358-5029	55358-5028	
梱包数量 QUANTITY	コネクタ番号 CONNECTOR No.	製品番号 MATERIAL No.	極数 CKT.

DO NOT SCALE DRAWING		55358-50**		SCALE 1:2		DESIGN UNITS <input checked="" type="checkbox"/> mm <input type="checkbox"/> INCH		MODEL NO.		DIMENSIONS: <input type="checkbox"/> mm <input type="checkbox"/> INCH <input type="checkbox"/> mm ONLY		SHT		REV	
E34NO. DRWN: CH'KS: APPR:		E33NO. DRWN: CH'KS: APPR:		E32NO. DRWN: CH'KS: APPR:		E31NO. DRWN: CH'KS: APPR:		MATERIAL POLYSTYRENE (t=1.0)		GENERAL TOLERANCES: (UNLESS SPECIFIED):		DRAWN BY & DATE M.NABEI 04/04/22		TITLE: TRAY FOR CF CARD CONN. 50P HEADER HS'G ASS'Y -LEAD FREE-	
E30NO. DRWN: CH'KS: APPR:		E29NO. DRWN: CH'KS: APPR:		E28NO. DRWN: CH'KS: APPR:		E27NO. DRWN: CH'KS: APPR:		FINISH 仕上付		CHECKED BY & DATE K.TOJO 04/04/22		APPROVED BY & DATE M.SASAO 04/04/22		MATERIAL NO. DRAWING NO. SHEET NO. 1 OF 1	
E26NO. DRWN: CH'KS: APPR:		E25NO. DRWN: CH'KS: APPR:		E24NO. DRWN: CH'KS: APPR:		E23NO. DRWN: CH'KS: APPR:		WIRE RANGE 適用電線範囲		ANGLE 角度		CAD FILENAME SD-55358-016.S01		MATERIAL NO. DRAWING NO. SHEET NO. 1 OF 1	
E22NO. DRWN: CH'KS: APPR:		E21NO. DRWN: CH'KS: APPR:		E20NO. DRWN: CH'KS: APPR:		E19NO. DRWN: CH'KS: APPR:		INS. RANGE 被覆外径		MOLEX INCORPORATED		SEE CHART		SD-55358-016	
E18NO. DRWN: CH'KS: APPR:		E17NO. DRWN: CH'KS: APPR:		E16NO. DRWN: CH'KS: APPR:		E15NO. DRWN: CH'KS: APPR:		REV 0		MATERIAL NO. DRAWING NO. SHEET NO. 1 OF 1		SD-55358-016		EN-02J(097) MXJ-54	
E14NO. DRWN: CH'KS: APPR:		E13NO. DRWN: CH'KS: APPR:		E12NO. DRWN: CH'KS: APPR:		E11NO. DRWN: CH'KS: APPR:		RELEASED J2004-3952		MATERIAL NO. DRAWING NO. SHEET NO. 1 OF 1		SD-55358-016		EN-02J(097) MXJ-54	
E10NO. DRWN: CH'KS: APPR:		E9NO. DRWN: CH'KS: APPR:		E8NO. DRWN: CH'KS: APPR:		E7NO. DRWN: CH'KS: APPR:		DRWN: M.NABEI		MATERIAL NO. DRAWING NO. SHEET NO. 1 OF 1		SD-55358-016		EN-02J(097) MXJ-54	
E6NO. DRWN: CH'KS: APPR:		E5NO. DRWN: CH'KS: APPR:		E4NO. DRWN: CH'KS: APPR:		E3NO. DRWN: CH'KS: APPR:		CH'KS: K.TOJO		MATERIAL NO. DRAWING NO. SHEET NO. 1 OF 1		SD-55358-016		EN-02J(097) MXJ-54	
E2NO. DRWN: CH'KS: APPR:		E1NO. DRWN: CH'KS: APPR:		E0NO. DRWN: CH'KS: APPR:		E-1NO. DRWN: CH'KS: APPR:		APPR: M.SASAO		MATERIAL NO. DRAWING NO. SHEET NO. 1 OF 1		SD-55358-016		EN-02J(097) MXJ-54	