

HC-M-04-BU-KOAX-50


Order No.: 1676802



<http://eshop.phoenixcontact.de/phoenix/treeViewClick.do?UID=1676802>

Coaxial contact, for the HC-M-4-MOD-ST module, 50 Ohm

Commercial data

| | |
|--------------------------|--|
| GTIN (EAN) |  4 017918 150556 |
| sales group | D045 |
| Pack | 10 pcs. |
| Customs tariff | 85366910 |
| Catalog page information | Page 461 (PC-2009) |

Product notes

WEEE/RoHS-compliant since:
07/03/2006



<http://www.download.phoenixcontact.com>
Please note that the data given here has been taken from the online catalog. For comprehensive information and data, please refer to the user documentation. The General Terms and Conditions of Use apply to Internet downloads.

Technical data

Electrical characteristics

| | |
|-------------------|---|
| Note | Cables that can be used for the coaxial contact: RG174/U, RG188A/U, RG316/U |
| Rated voltage | 50 V AC |
| Rated current | 1.5 A |
| Volume resistance | ≤ 10 mΩ (Phase conductors) |

| | |
|-----------------------|-------|
| Insulation resistance | 10 GΩ |
| Wave impedance | 50 Ω |

Mechanical characteristics

| | |
|--|----------------------|
| Conductor cross section AWG/kcmil max | 14 |
| Conductor cross section AWG/kcmil min. | 26 |
| Conductor cross section stranded max. | 2.5 mm ² |
| Conductor cross section stranded min. | 0.14 mm ² |
| Insertion/withdrawal cycles | ≥ 500 |

General characteristics

| | |
|----------------------------------|----------|
| Connection in acc. with standard | IEC / EN |
|----------------------------------|----------|

Material data

| | |
|--------------------------|--------------|
| Contact material | Copper alloy |
| Contact surface material | Au |

Certificates / Approvals



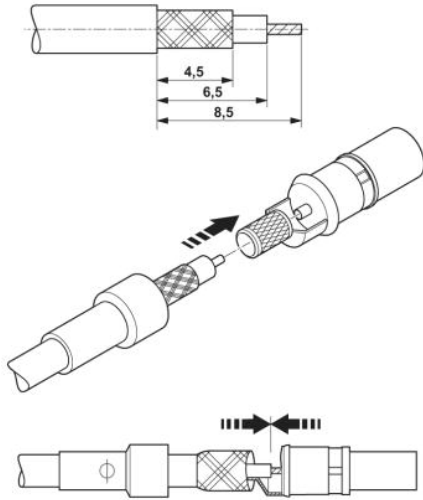
Certification GOST, UL

Accessories

| Item | Designation | Description |
|--------------|-------------------|--|
| Tools | | |
| 1206023 | CRIMPFOX-HCM-KOAX | Crimping pliers, for coaxial, male and female contacts acc. to DIN 41626, contacts HC-M-04-ST-KOAX-... and HC-M-04-BU-KOAX-... 50 and 75 Ohms respectively |
| 1676747 | HC-M4-KOAX-EWZ | Contact removal tool for coaxial contacts |

Diagrams/Drawings

Schematic diagram



Assembly instructions:

Strip off 8.5 mm of the cable and push the sleeve onto the cable. Then solder the wire with the coaxial contact and place the braided shield above the ridges of the contact. Slide the sleeve over the braided shield and crimp the cable along the narrow contact collar.

Address

PHOENIX CONTACT Deutschland GmbH
Flachsmarktstr. 8
32825 Blomberg, Germany
Phone +49 5235 3 12000
Fax +49 5235 3 41200
<http://www.phoenixcontact.de>



© 2010 Phoenix Contact
Technical modifications reserved;