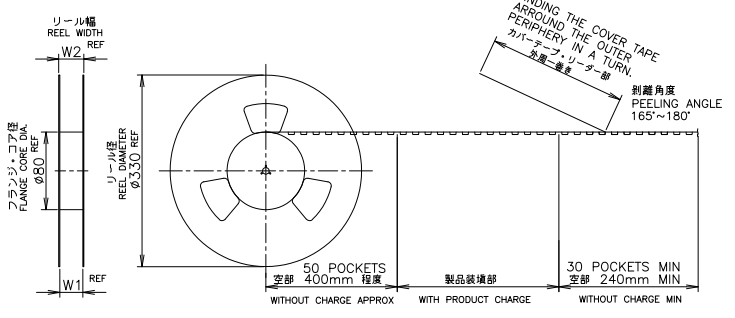
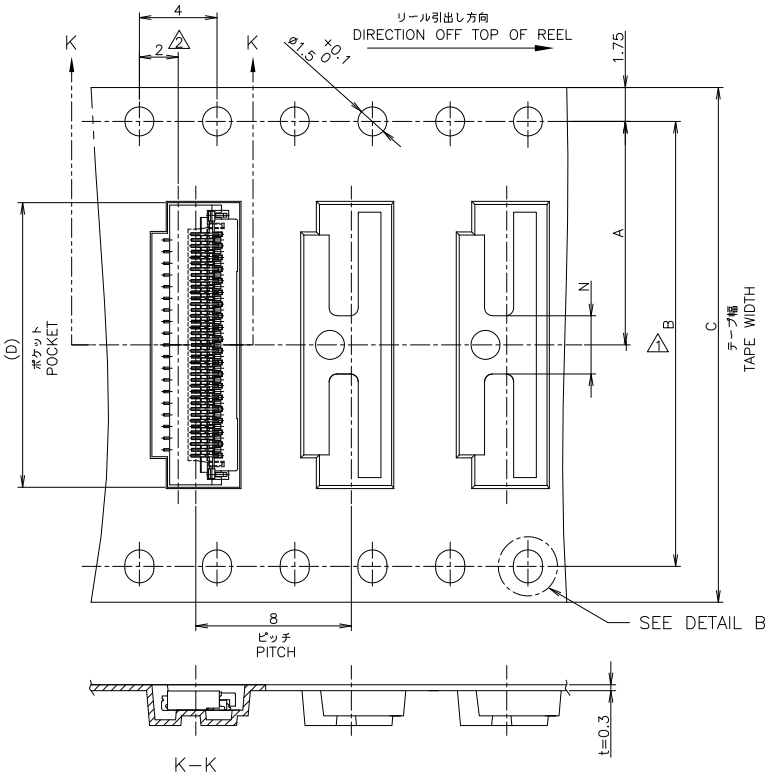
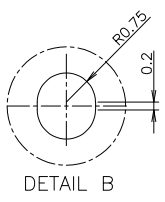


THIS DRAWING IS UNPUBLISHED. RELEASED FOR PUBLICATION MAR. 2004.  
 © COPYRIGHT 2004 BY TYCO ELECTRONICS CORPORATION. ALL RIGHTS RESERVED.

LOC	DIST	REVISIONS			
P	LTR	DESCRIPTION	DATE	DWN	APVD
C		REVISED ECR-07-029671	10DEC07	T.T	T.K



△ B寸法はテープ幅 32mm 以上に適用  
 △ コネクタ吸着面のセンターライン  
 △ DIM. B APPLIED TAPE WIDE, 32mm MORE.  
 △ CENTER LINE OF CONNECTOR ADSORPTION SURFACE.



THIS DRAWING IS A CONTROLLED DOCUMENT.		DWN	Y.SHINO	11NOV05	Tyco Electronics Tyco Electronics AMP K.K. Kawasaki, Japan	
DIMENSIONS: 単位: 概 mm		CHK	M.IWASAKI	11NOV05	NAME 名称	
TOLERANCES UNLESS OTHERWISE SPECIFIED: 数公差		APVD	T.KUSUHARA	11NOV05	0.3mm FPC CONNECTOR FLIP LOCK TYPE, HEIGHT 1.0mm GOLD PLATE VERSION	
0 PLC ± 0.3 1 PLC ± 0.3 2 PLC ± 0.3 3 PLC ± 0.3 4 PLC ± 0.3 ANGLES ± 5°		PRODUCT SPEC 製品規格 108-5944		SIZE		CAGE CODE
MATERIAL 材料		FINISH 仕上		DRAWING NO 番号 1746237		RESTRICTED TO
		WEIGHT		A3 00779		SCALE 尺度 NTS
		CUSTOMER DRAWING		SHEET 1 OF 3		REV C

AMP 1470-19 REV 31MAR2000

4

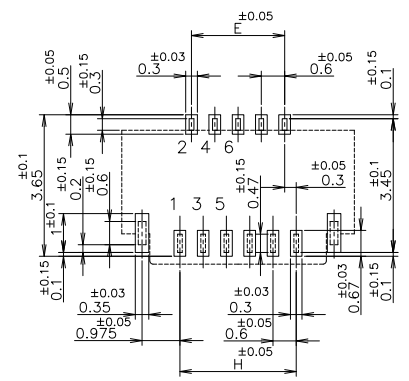
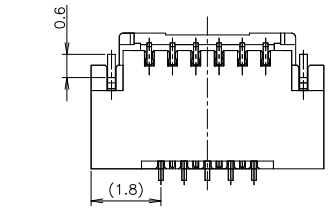
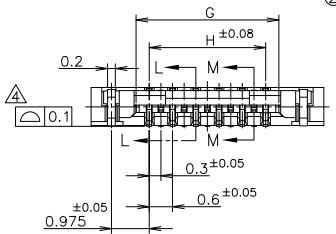
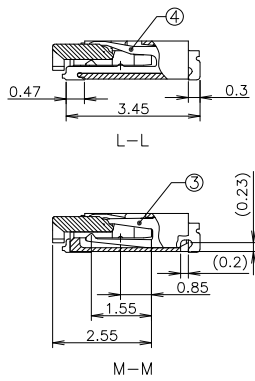
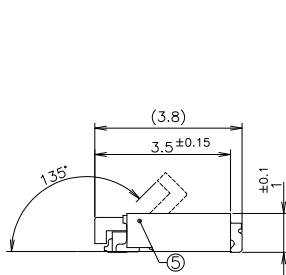
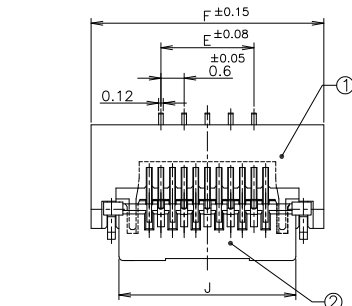
3

2

1

THIS DRAWING IS UNPUBLISHED. RELEASED FOR PUBLICATION MAR, 2004.  
 © COPYRIGHT 2004 BY TYCO ELECTRONICS CORPORATION. ALL RIGHTS RESERVED.

LOC	DIST	REVISIONS			
P	LTR	DESCRIPTION	DATE	DWN	APVD
-	-	SEE SHEET 1	-	-	-



参考基板レイアウト  
 (コネクタ搭載面)  
 REFERENCE PWB LAYOUT  
 (CONN. MOUNTING SIDE)  
 (SCALE 10:1)

△ 一般公差  
 10以下: ±0.2  
 10を越え 30以下: ±0.25  
 30を越え 100以下: ±0.3  
 角 度: ±3°

△ 一般公差  
 10 ≥: ±0.2  
 30 ≥ > 10: ±0.25  
 100 ≥ > 30: ±0.3  
 ANGLES: ±3°

△ コプラナリティ 0.1MAX. △ COPLANARITY 0.1MAX.

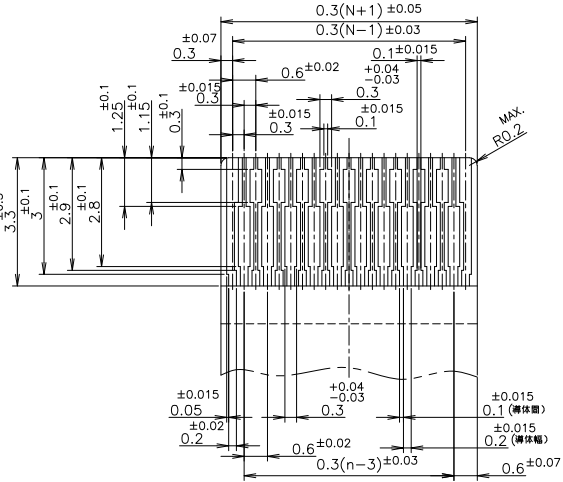
Ni下地めっき Ni UNDER PLATING	Snめっき Sn PLATING	銅合金 COPPER ALLOY	ソルダーペグ SOLDER PEG	⑤
Ni下地めっき Ni UNDER PLATING	Auめっき Au PLATING	銅合金 COPPER ALLOY	コンタクト 2 CONTACT 2	④
Ni下地めっき Ni UNDER PLATING	Auめっき Au PLATING	銅合金 COPPER ALLOY	コンタクト 1 CONTACT 1	③
色 : 黒色 COLOR : BLACK	THERMO PLASTIC	アクチュエーター ACTUATOR		②
色 : 乳白色 COLOR : BEIGE	THERMO PLASTIC	ハウジング HOUSING		①
FINISH	MATERIAL	NAME		

PARTS LIST

DIMENSIONS: 単位: 純 mm		TOLERANCES UNLESS OTHERWISE SPECIFIED: 一般公差		DWN	Tyco Electronics Tyco Electronics AMP K.K. Kawasaki, Japan	
0 PLC	±	△		CHK	NAME	0.3mm FPC CONNECTOR FLIP LOCK TYPE, HEIGHT 1.0mm GOLD PLATE VERSION
1 PLC	±			APVD	製品規格	
2 PLC	±			APPLICATION SPEC	取付適用規格	
3 PLC	±			WEIGHT	SIZE	
4 PLC	±				CAGE CODE	DRAWING NO
ANGLES	±				番号	RESTRICTED TO
FINISH	仕上				A3	00779
						C=1746237
					CUSTOMER DRAWING	SCALE
						NTS
						SHEET
						2
						OF
						3
						REV
						C

THIS DRAWING IS UNPUBLISHED. RELEASED FOR PUBLICATION MAR, 2004.  
 ALL RIGHTS RESERVED. COPYRIGHT 2004 BY TYCO ELECTRONICS CORPORATION.

LOC	DIST	REVISIONS		
J		REV	DATE	APVD
		SEE SHEET 1		



参考FPCレイアウト  
 REFERENCE LAYOUT  
 (SCALE 10:1)

TOOLING STATUS	N	W2	W1	J	H	G	F	E	D	C	B	A	数量(ヶ) QTY/REEL	POS.	PART NUMBER
NOT AVAILABLE	-	39.5	33.5	16.55	15	15.68	18	14.4	18.25	32	28.4	14.2	4000	51	2-1746237-1
AVAILABLE	-	30.4	25.5	14.75	13.2	13.88	16.2	12.6	16.45	24	/	11.5	4000	45	1-1746237-8
AVAILABLE	2.5	30.4	25.5	12.95	11.4	12.08	14.4	10.8	14.65	24	/	11.5	4000	39	1-1746237-5
NOT AVAILABLE	-	30.4	25.5	12.35	10.8	11.48	13.8	10.2	14.05	24	/	11.5	4000	37	1-1746237-4
AVAILABLE	2.5	30.4	25.5	11.75	10.2	10.88	13.2	9.6	13.45	24	/	11.5	4000	35	1-1746237-3
AVAILABLE	3	30.4	25.5	11.15	9.6	10.28	12.6	9	12.85	24	/	11.5	4000	33	1-1746237-2
NOT AVAILABLE	-	30.4	25.5	10.55	9	9.68	12	8.4	12.25	24	/	11.5	4000	31	1-1746237-1
AVAILABLE	-	30.4	25.5	9.95	8.4	9.08	11.4	7.8	11.65	24	/	11.5	4000	29	1-1746237-0
AVAILABLE	2.5	30.4	25.5	9.35	7.8	8.48	10.8	7.2	11.05	24	/	11.5	4000	27	1746237-9
NOT AVAILABLE	-	23.5	17.5	8.75	7.2	7.88	10.2	6.6	10.45	16	/	7.5	4000	25	1746237-8
AVAILABLE	3	23.5	17.5	8.15	6.6	7.28	9.6	6	9.85	16	/	7.5	4000	23	1746237-7
NOT AVAILABLE	-	23.5	17.5	7.55	6	6.68	9	5.4	9.25	16	/	7.5	4000	21	1746237-6
NOT AVAILABLE	-	23.5	17.5	6.95	5.4	6.08	8.4	4.8	8.65	16	/	7.5	4000	19	1746237-5
NOT AVAILABLE	-	23.5	17.5	6.35	4.8	5.48	7.8	4.2	8.05	16	/	7.5	4000	17	1746237-4
NOT AVAILABLE	-	19.5	13.5	5.75	4.2	4.88	7.2	3.6	7.45	12	/	5.5	4000	15	1746237-3
NOT AVAILABLE	-	19.5	13.5	5.15	3.6	4.28	6.6	3	6.85	12	/	5.5	4000	13	1746237-2
NOT AVAILABLE	-	19.5	13.5	4.55	3	3.68	6	2.4	6.25	12	/	5.5	4000	11	1746237-1

THIS DRAWING IS A CONTROLLED DOCUMENT.		Tyco Electronics Tyco Electronics AMP K.K. Kawasaki, Japan	
DIMENSIONS: 単位: 概 mm	TOLERANCES UNLESS OTHERWISE SPECIFIED: 公差表	NAME 名称	
0 PLC ±	1 PLC ±	PRODUCT SPEC 製品規格	
2 PLC ±	3 PLC ±	APPLICATION SPEC 取付適用規格	
4 PLC ±	ANGLES ±	WEIGHT	
MATERIAL 材料	FINISH 仕上	SIZE A3	CAGE CODE 00779
		DRAWING NO. 番号 1746237	
		RESTRICTED TO	
		CUSTOMER DRAWING	
		SCALE 尺度	NTS
		SHEET 3	OF 3
		REV C	