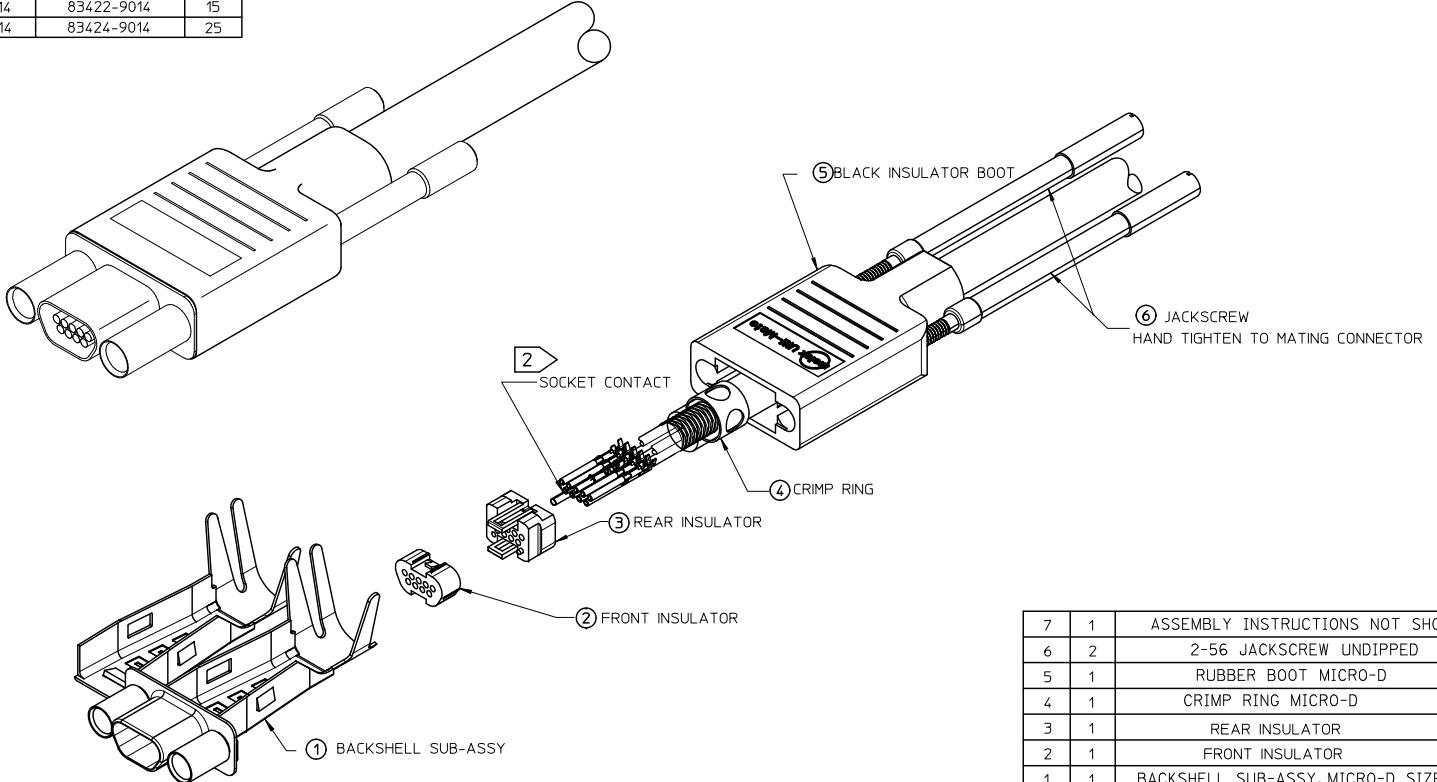


MATERIAL NO.	ENGINEERING NO.	SIZE
834219014	83421-9014	9
834229014	83422-9014	15
834249014	83424-9014	25



ITEM	QTY	DESCRIPTION
7	1	ASSEMBLY INSTRUCTIONS NOT SHOWN
6	2	2-56 JACKSCREW UNDIPTED
5	1	RUBBER BOOT MICRO-D
4	1	CRIMP RING MICRO-D
3	1	REAR INSULATOR
2	1	FRONT INSULATOR
1	1	BACKSHELL SUB-ASSY. MICRO-D SIZE 15

3. ROHS COMPLIANT

⚠ CONTACTS SOLD SEPARATELY. ORDER BY:
 P/N 830009502 (2500 CONTACT REEL)
 P/N 830009503 (50000 CONTACT REEL)
 P/N 830000083 (LOOSE CONTACTS)

1. REFER TO PS-83421-9000 FOR PRODUCT SPECIFICATION.

NOTES: UNLESS OTHERWISE SPECIFIED

REDRAWN EC NO: WNA2010-0462 DRWN: BRUPERT 2010/02/09 CHYD: BRUPERT 2010/04/21 APPR: J. MURPHY 2010/04/21 K	DESCRIPTION REV	QUALITY SYMBOLS ▽=0 ▽=0	GENERAL TOLERANCES (UNLESS SPECIFIED)		DIMENSION STYLE IN/MM		SCALE 2:1	DESIGN UNITS INCH	THIRD ANGLE PROJECTION	
		4 PLACES ± --- ± --- 3 PLACES ± --- ± .005 2 PLACES ± 0.13 ± .010 1 PLACE ± 0.3 ± --- ANGULAR ± 1/2°	mm INCH	DRAWN BY URBACH	DATE 99/09/03	TITLE CONNECTOR KIT, RECEPTACLE, W/2-56 JACKSCREWS				
		DRAFT WHERE APPLICABLE MUST REMAIN WITHIN DIMENSIONS	MATERIAL NO. SEE CHART	CHECKED BY HEB	DATE 02/01/31	MOLEX INCORPORATED				
		SIZE A 3	THIS DRAWING CONTAINS INFORMATION THAT IS PROPRIETARY TO MOLEX INCORPORATED AND SHOULD NOT BE USED WITHOUT WRITTEN PERMISSION	APPROVED BY RWD	DATE 02/01/31	DOCUMENT NO. SD-83421-002	SHEET NO. 1 OF 1			

ib_frame_A3_P_AM_T
 Rev. E 2006/04/15