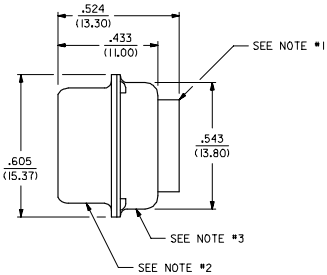
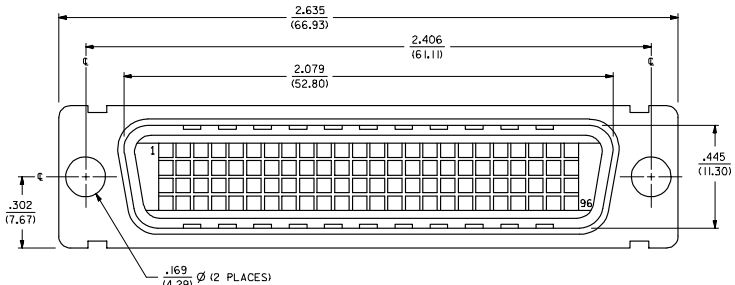
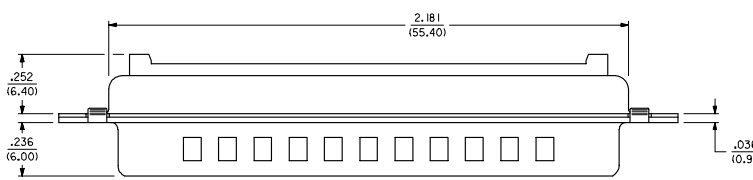


20 19 18 17 16 15 14 13 12 11 10 9 8 7 6 5 4 3 2 1



NOTES:

- 1) CONNECTOR MATERIALS:
HOUSING AND INSERT-MOLDED STICKS ARE BOTH MADE OF GLASS FILLED LCP (LIQUID CRYSTAL POLYMER), RATED UL, 94 V-0, COLOR IS BLACK; TERMINALS ARE .016/(0.46) THICK PHOSPHOR BRONZE; TERMINAL PLATING IS .000030/(0.0076) MINIMUM GOLD IN CONTACT AREA, OVER .000100/(0.00254) MINIMUM TIN ON P.C. TAILS, OVER NICKEL UNDERPLATE OVERALL.
- 2) FRONT SHELL:
DRAW QUALITY STEEL, .020/(0.51) THICK;
PLATING: SEE TABLE
BRIGHT TIN: 150-250 MICRONS/(3.81-6.35 MICROMETERS) BRIGHT TIN OVER 50-50 MICRONS/(1.27-3.81 MICROMETERS) NICKEL OVER COPPER FLASH OVERALL (OPTIONAL),
BRIGHT NICKEL: 100-175 MICRONS/(2.54-4.44 MICROMETERS) BRIGHT NICKEL OVER 50 MICRONS/(1.27 MICROMETERS) MAXIMUM COPPER OVERALL.
- 3) BACK SHELL:
DRAW QUALITY STEEL, .016/(0.41) THICK;
PLATING: 150-250 MICRONS/(3.81-6.35 MICROMETERS) BRIGHT TIN OVER 50-50 MICRONS/(1.27-3.81 MICROMETERS) NICKEL OVER COPPER FLASH OVERALL (OPTIONAL).
- 4) ALL DIMENSIONS ARE SHOWN FOR REFERENCE ONLY UNLESS SPECIFIED OTHERWISE.
- 5) THIS CONNECTOR CONFORMS TO PRODUCT SPECIFICATION PS-70660.
- 6) INSERT-MOLDED TERMINAL STRIP ASSEMBLIES ARE SUPPLIED SEPARATELY FOR SOLDERING TO STRANDED WIRE CABLE. (SEE SHEET 2 FOR CUSTOMER ORDER NUMBER).

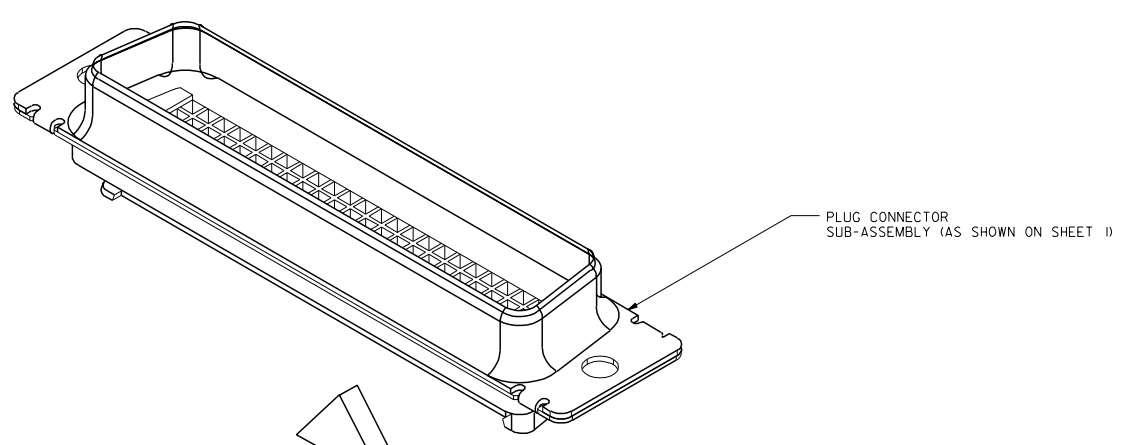
NOTE FOR LEAD FREE CONVERSION:
THE PRIMARY SHIPPING CARTON WILL BE LABELED "COMPLIANT TO RoHS DIRECTIVE 2002/95/EC AND ELV ANNEX II OF DIRECTIVE 2000/53/EC". CARTONS WITHOUT THIS LABEL MAY CONTAIN PRODUCT WITH LEAD.

2	B
1	D
SHT REV	

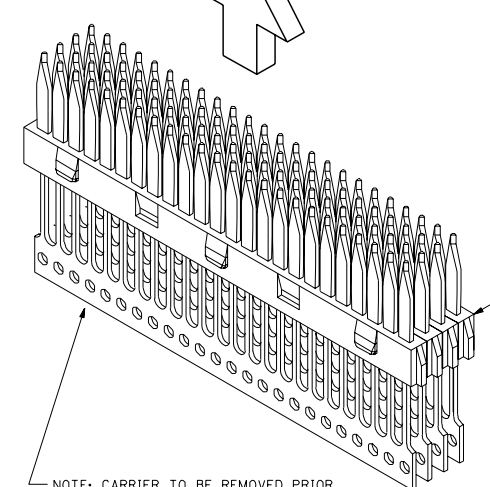
70665-2009	PLUG CONNECTOR SUB-ASSEMBLY (FRONT SHELL-HOUSING-BACK SHELL) ONLY	BRIGHT NICKEL
051-26-0012	PLUG CONNECTOR SUB-ASSEMBLY (FRONT SHELL-HOUSING-BACK SHELL) ONLY	BRIGHT TN
CUSTOMER ORDERING NO.	PRODUCT DESCRIPTION	FRONT SHELL PLATING

ADD: 70665-2009 EC No. LCP/2004-0666 DR: ANNIS BARIA CH: ROBIN GAN APPROVED FOR RELEASE: 2006/07/07 APPROVED FOR RELEASE: 2006/07/07	QUALITY SYMBOLS	GENERAL TOLERANCES (UNLESS SPECIFIED)	DIMENSION STYLE	SCALE	DESIGN UNITS	THIRD ANGLE PROJECTION	
	$\nabla=0$ $\nabla=0$	mm INCH 4 PLACES ± --- ± --- 3 PLACES ± --- ± --- 2 PLACES ± --- ± --- 1 PLACE ± --- ± --- ANGULAR ±1/2°	DRAWN BY DATE SCM/DGALL 93/04/21 CHECKED BY DATE CAB 93/04/21 APPROVED BY DATE CAB 93/04/21	IN/MM	5:1	INCH	TITLE LFH .075 PITCH, 96 CKT. VERT. I/O PLUG (SALES)
	DRAFT WHERE APPLICABLE MUST REMAIN WITHIN DIMENSIONS	SEE TABLE	PATERIAL NO.	INCORPORATED AND SHOULD NOT BE USED WITHOUT WRITTEN PERMISSION	MOLEX INCORPORATED	DOCUMENT NO.	SHEET NO.
			SDA-70665-2001				1 OF 2

13 12 11 10 9 8 7 6 70665 4 3 2 1



PLUG CONNECTOR
SUB-ASSEMBLY (AS SHOWN ON SHEET 1)



INSERT-MOLDED STICKS
SUPPLIED SEPARATELY
CUSTOMER ORDER NUMBER: 051-25-1005
(SEE SALES DRAWING: SDA-71989-4001)

NOTE: CARRIER TO BE REMOVED PRIOR
TO FASTENING CABLE BY CUSTOMER

70665

A

13 12 11 10 9 8 7 6 5 4 3 2 1

						DIMENSIONS SHOWN IN METRIC INCH UNLESS OTHERWISE SPECIFIED TOLERANCES ANGULAR 1/2°		MFG. SH. REV.	
						INCH METRIC 2 PLACE ± ± 1 PLACE ± ±		TITLE LFH, .075 PITCH, 96 CKT., VERTICAL I/O PLUG CONNECTOR FOR CABLE (SALES DRAWING)	
						DRAFT WHERE APPLICABLE MUST REMAIN WITHIN DIMENSIONS		MOLEX INCORPORATED SHEET NO. DATE U.S.A. 2 04/21/93	
						FILE NAME SDA-70665-2001 507066509 CAB SCALE 4 : 1		PART NO. DRWG. NO. SEE CHART SDA-70665-2001	
LTR.	REVISIONS	LTR.	REVISIONS	B SEE SHEET 1				THIS DRAWING CONTAINS INFORMATION THAT IS PROPRIETARY TO MOLEX INC. AND SHOULD NOT BE USED WITHOUT WRITTEN PERMISSION.	