


VS-BU-LH-3,6/18/3,8

Order No.: 1655454

<http://eshop.phoenixcontact.de/phoenix/treeViewClick.do?UID=1655454>POWER contact, for D-SUB combination inserts, for PCB assembly,
socket, angled, rated current 40 A, gold-plated**Commercial data**

GTIN (EAN)	 4 046356 029384
sales group	D502
Pack	30 pcs.
Customs tariff	85369010
Catalog page information	Page 325 (PC-2009)

Product notesWEEE/RoHS-compliant since:
06/07/2006

<http://www.download.phoenixcontact.com>
Please note that the data given here has been taken from the online catalog. For comprehensive information and data, please refer to the user documentation. The General Terms and Conditions of Use apply to Internet downloads.

Technical data**Mechanical characteristics**

Insertion/withdrawal cycles	≥ 500
Type of connection	PCB mounting

Insertion force per signal contact	≤ 7.00 N
Extraction force per signal contact	Approx. 5 N
Ambient temperature (operation)	-55 °C ... 155 °C

Material data

Contact material	Copper alloy
Contact surface material	Hard gold-plated over nickel

Electrical characteristics

Rated current	40 A
Insulation resistance	≥ 5 GΩ

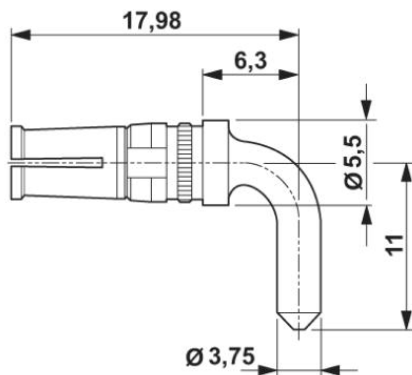
Accessories

Item	Designation	Description
1676747	HC-M4-KOAX-EWZ	Contact removal tool for coaxial contacts

Tools

Diagrams/Drawings

Dimensioned drawing



D-SUB power contact socket

Address

PHOENIX CONTACT Deutschland GmbH
Flachsmarktstr. 8
32825 Blomberg, Germany
Phone +49 5235 3 12000
Fax +49 5235 3 41200
<http://www.phoenixcontact.de>



© 2011 Phoenix Contact
Technical modifications reserved;