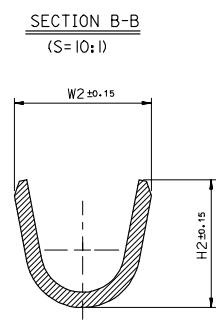
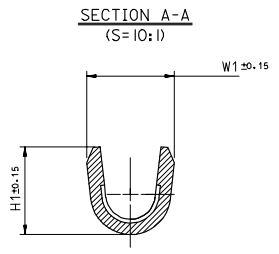
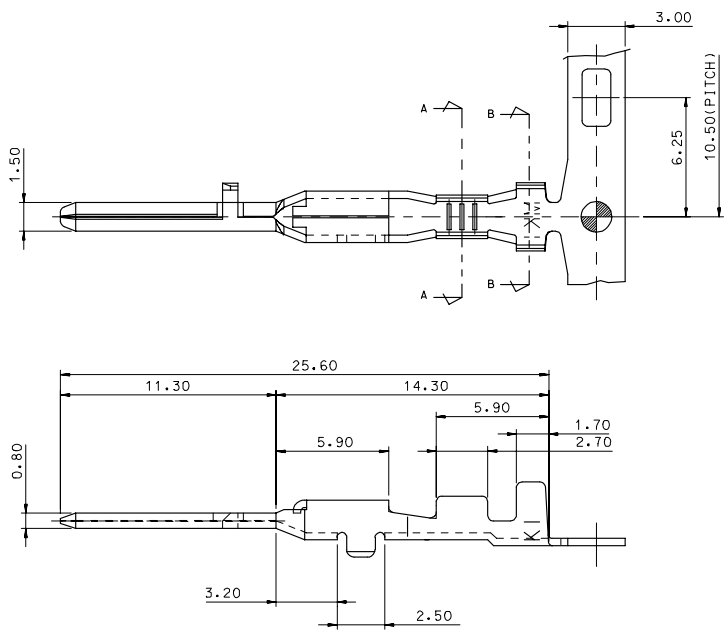


DWG. NO. SD-57964-002
 SIMILAR ITEM
 PROJECT NO.
 DO NOT SCALE DRAWING
 DIMENSION IN METRIC

ENG.NO	MATERIAL NO.	DESCRIPTION	DIMENSION						WIRE RANGE mm ²
			W1	H1	R1	W2	H2	R2	
57964-9702	579649702	.060 MALE TER'L(S)	2.3	2.3	RO.65	3.6	3.35	RO.90	AVS(CAVS) 0.3,0.5
57964-9802	579649802	.060 MALE TER'L(M)	2.8	2.95	RO.9	4.2	3.9	RI.3	AVS(CAVS) 0.5,0.85,1.25
57964-9902	579649902	.060 MALE TER'L(L)	3.8	4.1	RI.1	4.5	4.0	RI.4	AVSS 2f



- MATERIAL: BRASS, $\pm=0.35\pm0.02$
- FINISH: PRE-TIN

CHANGE OF BOARD EC NO. HCR2006-0039 DRWN. S.Y.PARK 05/09/20 CHK. B.C.YOON 05/09/20 APPR. C.W.LEE 05/09/20	QUALITY SYMBOLS MAJOR \blacktriangledown CRITICAL ∇	GENERAL TOLERANCES: (UNLESS SPECIFIED)		SCALE 5:1	DESIGN UNITS <input checked="" type="checkbox"/> mm <input type="checkbox"/> INCH	THIRD ANGLE PROJECTION	DIMENSIONS: <input type="checkbox"/> mm <input type="checkbox"/> INCH <input checked="" type="checkbox"/> mm ONLY	SHT 1 REV		
		4 PLACES $\pm 0.$ \pm	3 PLACES $\pm 0.$ \pm	2 PLACES ± 0.3 \pm	1 PLACE $\pm 0.$ \pm	DRAWN BY & DATE H.C.RHO 011229	TITLE: .060 MALE TERMINAL			
		ANGULAR $\pm 1^\circ$				CHECKED BY & DATE H.C.RHO 011229	MOLEX INCORPORATED KOREA			
		DRAFT WHERE APPLICABLE MUST REMAIN WITHIN DIMENSIONS				APPROVED BY & DATE C.W.LEE 011229	CAD FILENAME S060MT	MATERIAL NO. SEE TABLE	DRAWING NO. SD-57964-002	SHEET NO. 1 OF 1

THIS DRAWING CONTAINS INFORMATION THAT IS PROPRIETARY TO MOLEX INCORPORATED AND SHOULD NOT BE USED WITHOUT WRITTEN PERMISSION.

MX-A3