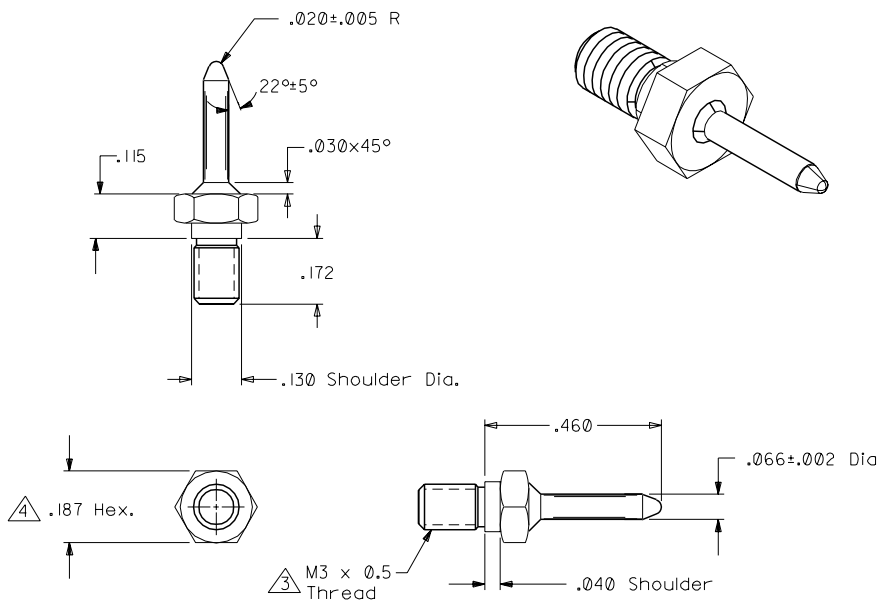


**Notes:**

1. Material: Heat Treated Steel.
2. Finish: Nickel Plate.
3. Maximum Assembly Torque: 5 in-lbs.
4. Socket Size: 3/16".



E	REVISED PER UDT2001-1175 SCHMIDG 01/04/26
DI	Added "Mating HRD" PER ECN U6-1418 DRS 05/13/96
D	Added -3000 ECN #U50846 DRS 04/11/95
C	Added Dims ECN #40107 DKS 2-14-94
B	Tip Rad Was .005 ECN #31700 DKS 11-12-93
A	RELEASED PER ECN# U30178 MOS 5/6/93

MFG.	SH.	REV.	LTR.	REVISIONS
▽ = 0	▽ = 0	REVISE ONLY ON CAD SYSTEM		
TITLE				
Guide Pin LFH Connector System				
MOLEX INCORPORATED		SHEET NO.	DATE	
LITTLE ROCK, AR 68532		1 of 1	03/11/93	
PART NO.		DRAWG. NO.		
71628-3000		SDA-71628-***		
DRWG. BY	CHK'D BY	FILE NAME	THIS DRAWING CONTAINS INFORMATION THAT IS PROPRIETARY TO MOLEX INC. AND SHOULD NOT BE USED WITHOUT WRITTEN PERMISSION.	
MOS	BIXLER	S71628X1	CD	B
APP'D BY	SCALE			
BIXLER	4:1			