

## SUBCON-PLUS-CAN/AX

Order No.: 2306566




<http://eshop.phoenixcontact.de/phoenix/treeViewClick.do?UID=2306566>

D-SUB connector, 9-pos. female connector, axial version with two cable entries, bus system: CAN, CANopen, SafetyBUS p; pin assignment: 2, 3, 7; screw connection terminal blocks

### Commercial data

GTIN (EAN)	 4 017918 962906
sales group	H631
Pack	1 pcs.
Customs tariff	85366990
Catalog page information	Page 553 (IF-2009)

### Product notes

WEEE/RoHS-compliant since:  
03/23/2007



<http://www.download.phoenixcontact.com>  
Please note that the data given here has been taken from the online catalog. For comprehensive information and data, please refer to the user documentation. The General Terms and Conditions of Use apply to Internet downloads.

### Technical data

#### General data

Nominal voltage $U_N$	60 V AC/DC
Nominal current $I_N$	1 A
Bus system	CAN, CANopen, SafetyBus-P
Insertion/withdrawal cycles	> 200

Max. cable diameter	8.4 mm
Min. cable diameter	7.6 mm
SUBCON fixing screws	4-40 UNC
Tightening torque	0.4 Nm
Ambient temperature (operation)	-20 °C ... 75 °C
Housing material	ABS, metal-plated
Pin assignment	2, 3, 7
Width	17 mm
Height	58.2 mm
Length	31.5 mm

**Connection data**

Connection	D-SUB connection
Number of positions	9
Type of connection	D-SUB socket
Termination resistor	120 Ω (Can be connected externally)
Connection	PCB connection
Type of connection	Screw connection
Conductor cross section solid min.	0.14 mm <sup>2</sup>
Conductor cross section solid max.	1.5 mm <sup>2</sup>
Conductor cross section stranded min.	0.14 mm <sup>2</sup>
Conductor cross section stranded max.	1 mm <sup>2</sup>
Conductor cross section AWG/kcmil min.	26
Conductor cross section AWG/kcmil max	16
Stripping length	5 mm
Tightening torque	0.4 Nm

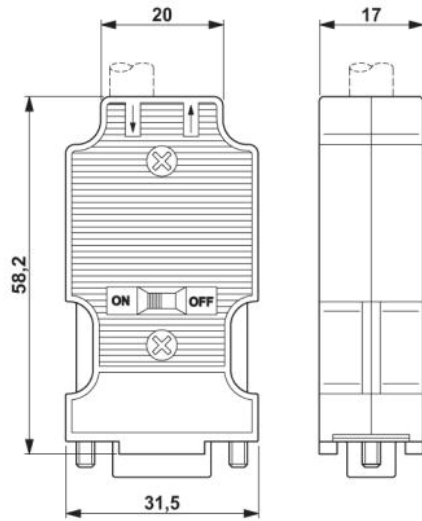
**Accessories**

Item	Designation	Description
<b>General</b>		
1205150	SZK PH1 VDE	Screwdriver, PH crosshead, VDE insulated, size: PH 1 x 80 mm, 2-component grip, with non-slip grip
<b>Tools</b>		
1204384	QUICK WIREFOX 6	Stripping tool for cables with PVC insulation, stripping range: 0.08 to 6 mm <sup>2</sup> , wire cutting up to 6 mm <sup>2</sup> flexible or 4 mm <sup>2</sup> rigid

1204504	SZF 0-0,4X2,5	Actuation tool, for ST terminal blocks, also suitable for use as a bladed screwdriver, size: 0.4 x 2.5 x 75 mm, 2-component grip, with non-slip grip
---------	---------------	--

### Diagrams/Drawings

Dimensioned drawing



**Address**

PHOENIX CONTACT Deutschland GmbH  
Flachsmarktstr. 8  
32825 Blomberg, Germany  
Phone +49 5235 3 12000  
Fax +49 5235 3 41200  
<http://www.phoenixcontact.de>



© 2011 Phoenix Contact  
Technical modifications reserved;