

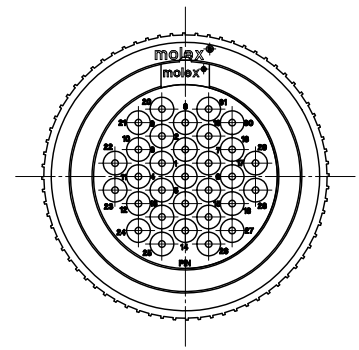
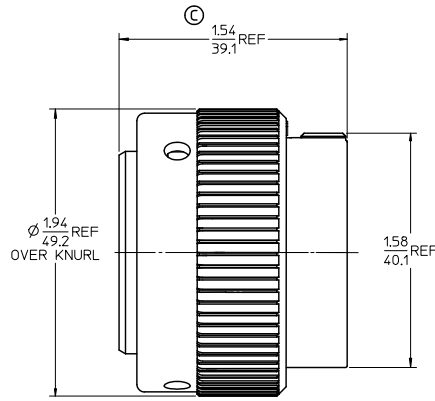
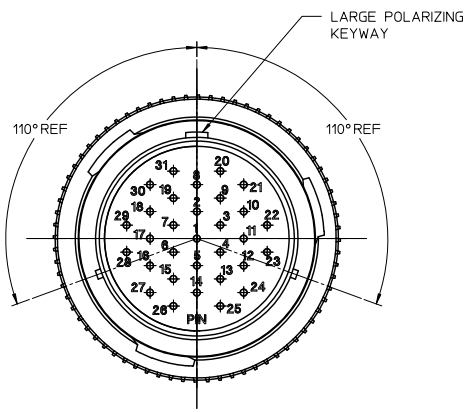
MATERIAL NUMBER	WIRE AWG	INSULATION DIA. O.D.	RING
845050001	18-14	.053-.134/1.35-3.40	STANDARD, BLACK

LARGE POLARIZING
KEYWAY INDICATOR



ASSEMBLED ISOVIEW
SCALE 1:1

STANDARD
BLACK RING



WIRE ENTRY VIEW
SCALE 2:1

NOTES:

1. USE CONNECTOR WITH MALE CRIMP TERMINAL SERIES 84524. Ⓢ
2. MATES WITH RECEPTACLE CONNECTOR SERIES 84506.
3. ASSEMBLY IS ROHS COMPLIANT.
4. PACKAGED PER PK-84501-001.

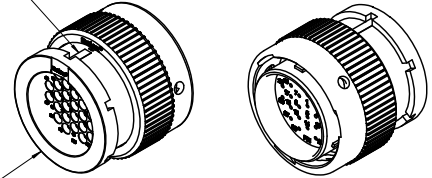
UPDATE DIM & TERM. SERIES EC NO. KWA2011-0306 DRAWING/ENG 2010/12/13 CHKD: APPROV: JTUS 2011/01/14 DESCRIPTION REV	QUALITY SYMBOLS	GENERAL TOLERANCES (UNLESS SPECIFIED)	DIMENSION STYLE	SCALE	DESIGN UNITS	THIRD ANGLE PROJECTION																		
	▽=0 ▽=0	<table border="1"> <tr> <th></th> <th>mm</th> <th>INCH</th> </tr> <tr> <td>4 PLACES</td> <td>±.015</td> <td>±.0005</td> </tr> <tr> <td>3 PLACES</td> <td>±.030</td> <td>±.0015</td> </tr> <tr> <td>2 PLACES</td> <td>±.045</td> <td>±.0020</td> </tr> <tr> <td>1 PLACE</td> <td>±0.08</td> <td>±.0030</td> </tr> <tr> <td colspan="3">ANGULAR ± 2 °</td> </tr> </table>		mm	INCH	4 PLACES	±.015	±.0005	3 PLACES	±.030	±.0015	2 PLACES	±.045	±.0020	1 PLACE	±0.08	±.0030	ANGULAR ± 2 °			IN/MM	2:1	INCH	
		mm	INCH																					
	4 PLACES	±.015	±.0005																					
3 PLACES	±.030	±.0015																						
2 PLACES	±.045	±.0020																						
1 PLACE	±0.08	±.0030																						
ANGULAR ± 2 °																								
DRAWN BY	DATE	TITLE	MOLEX INCORPORATED PLUG CONNECTOR ASSEMBLY, 24-31 POS PIN TERMINALS																					
CHECKED BY	DATE																							
APPROVED BY	DATE																							
DRAFT WHERE APPLICABLE MUST REMAIN WITHIN DIMENSIONS			MATERIAL NO.	DOCUMENT NO.	SHEET NO.																			
			845050001	SD-84505-001	1 OF 2																			
THIS DRAWING CONTAINS INFORMATION THAT IS PROPRIETARY TO MOLEX INCORPORATED AND SHOULD NOT BE USED WITHOUT WRITTEN PERMISSION																								

13	12	11	10	9	8	7	6	5	4	3	2	1
MATERIAL NUMBER	WIRE AWG	INSULATION DIA. O.D.	RING									
845050003	18-14	.053-.134/1.35-3.40	EXTENDED LIP, BLACK									

LARGE POLARIZING KEYWAY INDICATOR

EXTENDED LIP
BLACK RING

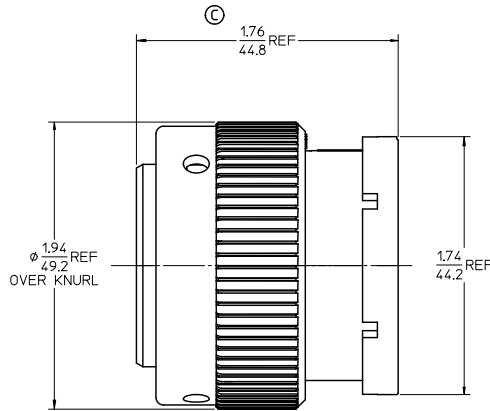
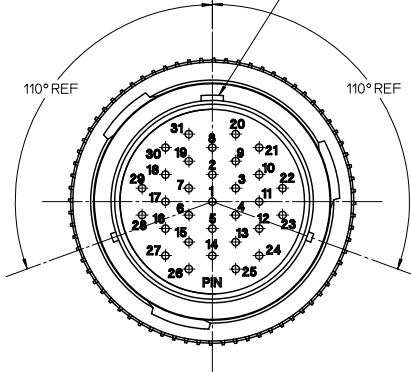
ASSEMBLED ISOVIEW
SCALE 1:1



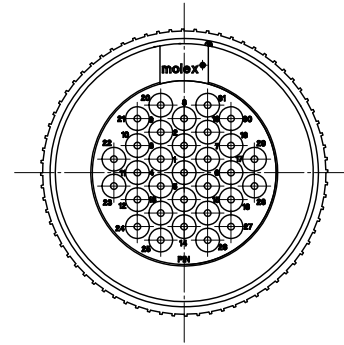
LARGE POLARIZING KEYWAY INDICATOR

110° REF

110° REF



WIRE ENTRY VIEW
SCALE 2:1



NOTES:

1. USE CONNECTOR WITH MALE CRIMP TERMINAL SERIES 84524. ©
2. MATES WITH RECEPTACLE CONNECTOR SERIES 84506.
3. USE CONNECTOR WITH STRAIN RELIEF BACKSHELL, MOLEX MATERIAL NO. 84537-0003.
4. ASSEMBLY IS ROHS COMPLIANT.
5. PACKAGED PER PK-84501-001.

UPDATE DIM. & TERM. SERIES EC NO. WNA2011-0306 DRAWING NO. 2010/12/15 CHKD: APPR: DTTUS 2011/01/14 DESCRIPTION:	QUALITY SYMBOLS	GENERAL TOLERANCES (UNLESS SPECIFIED)		DIMENSION STYLE		SCALE	DESIGN UNITS	THIRD ANGLE PROJECTION
	▽=0	mm	INCH	IN/MM		1:1	INCH	
	▽=0	4 PLACES ±.005	±.005	DRAWN BY	DATE	TITLE		
		3 PLACES ±.010	±.010	BRUPERT	2006/3/21	PLUG CONNECTOR ASSEMBLY, 24-31 POS PIN TERMINALS		
	2 PLACES ±.015	±.015	CHECKED BY	DATE	MATERIAL NO.			
	1 PLACE ±0.38	±.038	JPAWLICKI	2006/6/6	845050003			
	ANGULAR ± 2°	±.005	APPROVED BY	DATE	DOCUMENT NO.			
		±.005	RDEROSS	2006/6/7	SD-84505-001			
			DRAFT WHERE APPLICABLE MUST REMAIN WITHIN DIMENSIONS					
			SIZE C THIS DRAWING CONTAINS INFORMATION THAT IS PROPRIETARY TO MOLEX INCORPORATED AND SHOULD NOT BE USED WITHOUT WRITTEN PERMISSION					
			MATERIAL NO. 845050003					
			DOCUMENT NO. SD-84505-001					
			SHEET NO. 2 OF 2					