



Features

- 12.7 x 12.7 mm
- High surge-energy handling
- Low capacitance and insertion loss
- RoHS compliant* versions available

2047 Series Gas Discharge Tube Surge Protector

Bourns offers a precision heavy duty 2-electrode GDT surge protection device in voltages from 90 to 350 V. The 2047 Series offers superior protection characteristics suitable for highly exposed commercial and industrial applications.

Characteristics

Test Methods per ITU-T (CCITT) K.12, IEEE C62.31

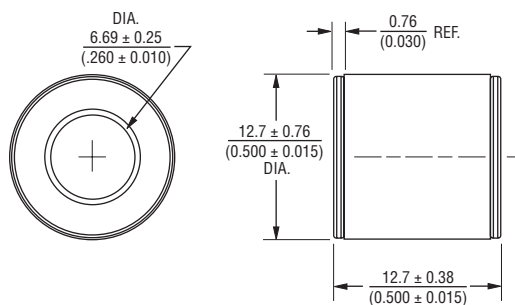
Characteristic	Model No.			
	2047-09	2047-15	2047-23	2047-35
DC Sparkover $\pm 20\%$ @ 100 V/s ($\pm 25\%$ @ 100 V/s After Life)	90 V	150 V	230 V	350 V
Impulse Sparkover				
100 V/ μ s Typical / For 99 % of Values	350 / 450 V	350 / 450 V	450 / 500 V	475 / 550 V
1000 V/ μ s Typical / For 99 % of Values	600 / 650 V	550 / 600 V	600 / 650 V	725 / 800 V

Impulse values are estimated and typical; not maximum.

Insulation Resistance (IR)	50 V / 100 V	> 109 Ω
Glow Voltage	10 mA	~ 80 V
Arc Voltage	@ 2 A	~ 12 V
Glow-Arc Transition Current		< 1 A
Capacitance	1 MHz	< 5 pF
Impulse Discharge Current	> 40,000 A, 8/20 μ s	> 10 operations
	> 4,000 A, 10/350 μ s	> 10 operations
	> 8,000 A, 10/350 μ s	> 1 operation
Impulse Life	> 1,000 A 10/1000 μ s	> 1000 operations
Alternating Discharge Current	> 20 A, 1 sec.	> 20 operations
	> 40 A, 1 sec.	1 operation min.
	> 200 A, 11 cycles	1 operation min.
Operating and Storage Temperature,		-40 to +90 °C
Climatic Category (IEC 60068-1)		40/90/21

Note: At delivery AQL 0.65, level II DIN ISO 2859

Product Dimensions



DIMENSIONS: $\frac{\text{MM}}{\text{(INCHES)}}$

How to Order

Model Number Designator **2047 - xx - A LF**

Voltage (Divided by 10)

09 = 90 V	23 = 230 V
15 = 150 V	35 = 350 V

Leads

A = None

Packaging

Blank = Bulk Packaging (Standard) - 50 units per box

Plating Option

Blank = Standard Product - Tin/Lead Plating

LF = RoHS Compliant Product

Ni = Nickel Plating

REV. F 04/11

*RoHS Directive 2002/95/EC Jan 27, 2003 including Annex.
 Specifications are subject to change without notice.
 Customers should verify actual device performance in their specific applications.

BOURNS®

Asia-Pacific: Tel: +886-2 2562-4117 • Fax: +886-2 2562-4116

Europe: Tel: +41-41 768 5555 • Fax: +41-41 768 5510

The Americas: Tel: +1-951 781-5500 • Fax: +1-951 781-5700

www.bourns.com