

SI-H-FKS 15

Order No.: 1728996



<http://eshop.phoenixcontact.de/phoenix/treeViewClick.do?UID=1728996>

Printed circuit fuse carrier, for 5 mm wide automotive flat-type fuses up to max. 15 A

Commercial data	
GTIN (EAN)	 4 017918 025878
sales group	E092
Pack	50 pcs.
Customs tariff	85369010
Catalog page information	Page 131 (CC-2009)

Product notes

WEEE/RoHS-compliant since:
01/01/2005

<http://www.download.phoenixcontact.com>
Please note that the data given here has been taken from the online catalog. For comprehensive information and data, please refer to the user documentation. The General Terms and Conditions of Use apply to Internet downloads.

Certificates / Approvals



Certification

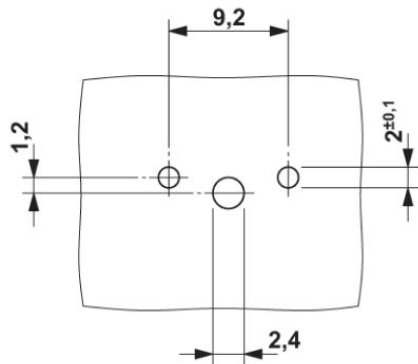
CSA, GOST, UL

Accessories

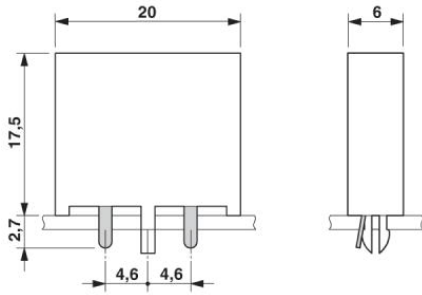
Item	Designation	Description
Fuse		
0913689	SI FORM C 2 A	Flat-type plug-in fuse, type C, color code: gray, nominal current: 2 A
0913731	SI FORM C 4 A DIN 72581	Flat-type plug-in fuse, type C, color code: pink, nominal current: 4 A
0913692	SI FORM C 5 A DIN 72581	Flat-type plug-in fuse, type C, color code: light brown, nominal current: 5 A
0913715	SI FORM C 10 A DIN 72581	Flat-type plug-in fuse, type C, color code: red, nominal current: 10 A
0913676	SI FORM C 15 A DIN 72581	Flat-type plug-in fuse, type C, color code: light blue, nominal current: 15 A
0913702	SI FORM C 7,5 A DIN 72581	Flat-type plug-in fuse, type C, color code: brown, nominal current: 7.5 A

Diagrams/Drawings

Drilling plan/solder pad geometry



Dimensioned drawing



Address

PHOENIX CONTACT Deutschland GmbH
Flachsmarktstr. 8
32825 Blomberg, Germany
Phone +49 5235 3 12000
Fax +49 5235 3 41200
<http://www.phoenixcontact.de>



© 2011 Phoenix Contact
Technical modifications reserved;