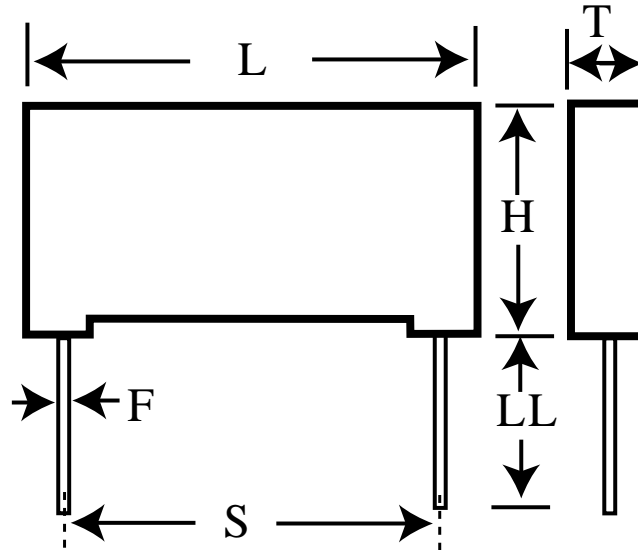


R60DI4220AA30J

aka 60DI4220AA30J

Capacitor, film, 2.2 uF, +/-5% Tol, -55/+105C, DC General Purpose, 63V@85C, Lead Spacing=15 mm



Dimensions (mm)

| ID | Dimension | Tolerance |
|----|-----------|-----------|
| L | 18 | +0.2/-0 |
| H | 12 | +1/-0 |
| T | 6 | +0.2/-0 |
| LL | 4 | +2/-0 |
| F | 0.8 | +/-0.05 |

Specifications

| | |
|------------------------------|----------------------|
| Manufacturer: | KEMET |
| Brand: | Arcotronics |
| Capacitance: | 2.2 uF |
| Temperature Range: | -55/+105C |
| Rated Temperature: | 85C |
| Voltage @ rated temp: | 63V |
| Voltage AC: | 40VAC |
| Tolerance: | +/-5% |
| Body Type: | Radial Box |
| Construction: | Non-inductive |
| Application: | DC General Purpose |
| Dielectric: | Metallized Polyester |
| Dissipation Factor @ 1 kHz: | 1% |
| Dissipation Factor @ 10 kHz: | 1.5% |
| Insulation Resistance: | 568.18 MOhm |
| Inductance: | 10 nH |
| Maximum dVdT: | 2.5v/us |
| Maximum K0: | 320V^2/us |
| Package Kind: | Bulk |
| Package Type: | Bag |
| Package Quantity: | 1750 |