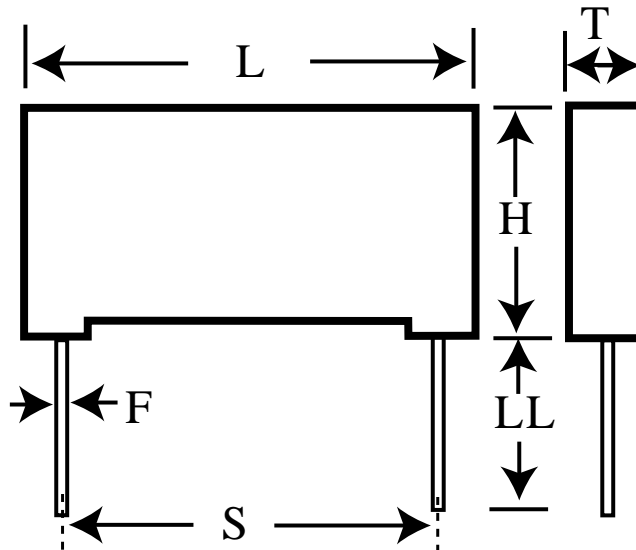


Capacitor, film, 0.47 uF, +/-5% Tol, -55/+105C, Pulse, 250V@85C,
 Lead Spacing=15 mm



Dimensions (mm)

Specifications

ID	Dimension	Tolerance	Manufacturer:	KEMET
L	18	+0.5	Brand:	Arcotronics
H	13.5	+0.1	Capacitance:	0.47 uF
T	7.5	+0.2	Temperature Range:	-55/+105C
S	15	+/-0.4	Rated Temperature:	85C
LL	4	+2	Voltage @ rated temp:	250V
F	0.8	+/-0.05	Voltage AC:	160VAC
			Tolerance:	+/-5%
			Body Type:	Radial Box
			Construction:	Non-inductive
			Application:	Pulse
			Dielectric:	Metallized Polypropylene
			Dissipation Factor @ 1 kHz:	0.05%
			Dissipation Factor @ 10 kHz:	0.08%
			Insulation Resistance:	63.83 GOhm
			Inductance:	10 nH
			Maximum dVdT:	200v/us
			Maximum K0:	100000V^2/us
			Package Kind:	Bulk
			Package Type:	Bag
			Package Quantity:	1000