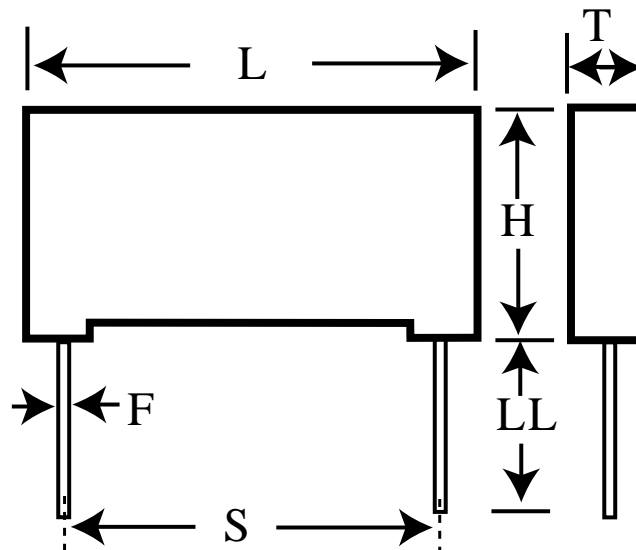


RSBPC1100AA00J

aka SBPC1100AA00J

Capacitor, film, 1000 pF, +/-5% Tol, -55/+125C, Pulse, 630V@85C,
Lead Spacing=5 mm



Dimensions (mm)

ID	Dimension	Tolerance
L	7.2	+0.2
H	6.5	+0.1
T	2.5	+0.1
S	5	+/-0.4
LL	4	+2
F	0.5	+/-0.05

Specifications

Manufacturer:	KEMET
Brand:	Arcotronics
Capacitance:	1000 pF
Temperature Range:	-55/+125C
Rated Temperature:	85C
Voltage @ rated temp:	630V
Voltage AC:	220VAC
Tolerance:	+/-5%
Body Type:	Radial Box
Construction:	Stacked
Application:	Pulse
Dielectric:	Metallized Polyester
Dissipation Factor @ 1 kHz:	0.8%
Dissipation Factor @ 10 kHz:	1.2%
Dissipation Factor @ 100kHz:	2.5%
Insulation Resistance:	30 GOhm
Inductance:	7 nH
Maximum dVdT:	800v/us
Maximum K0:	1000000V^2/us
Package Kind:	Bulk
Package Type:	Bag
Package Quantity:	3000