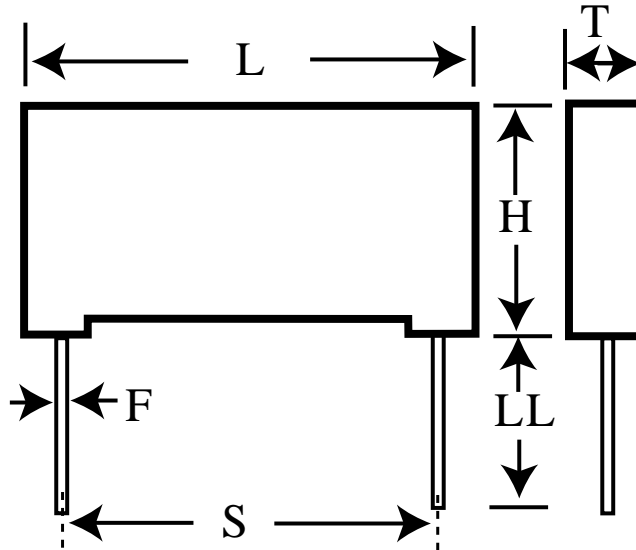


R463R422000M2M

aka 463R422000M2M

Capacitor, film, 2.2 uF, +/-20% Tol, -40/+110C, Safety: X2, 300VAC,
Lead Spacing=27.5 mm



Dimensions (mm)

ID	Dimension	Tolerance
L	32	+0.3
H	25	+0.1
T	13	+0.2
S	27.5	+/-0.4
LL	4	+2
F	0.8	+/-0.05

Specifications

Manufacturer:	KEMET
Brand:	Arcotronics
Capacitance:	2.2 uF
Temperature Range:	-40/+110C
Rated Temperature:	105C
Voltage @ rated temp:	630V
Voltage AC:	300VAC
Tolerance:	+/-20%
Body Type:	Radial Box
Construction:	Non-inductive
Application:	Safety: X2
Dielectric:	Metallized Polypropylene
Dissipation Factor @ 1 kHz:	0.1%
Insulation Resistance:	13.64 GOhm
Maximum dVdT:	150v/us
UL_1283:	310V
IEC_60384-14:	275V
CSA_384-14:	275V
CQC_GB/T 14472:	275V
Package Kind:	Bulk
Package Type:	Bag
Package Quantity:	480