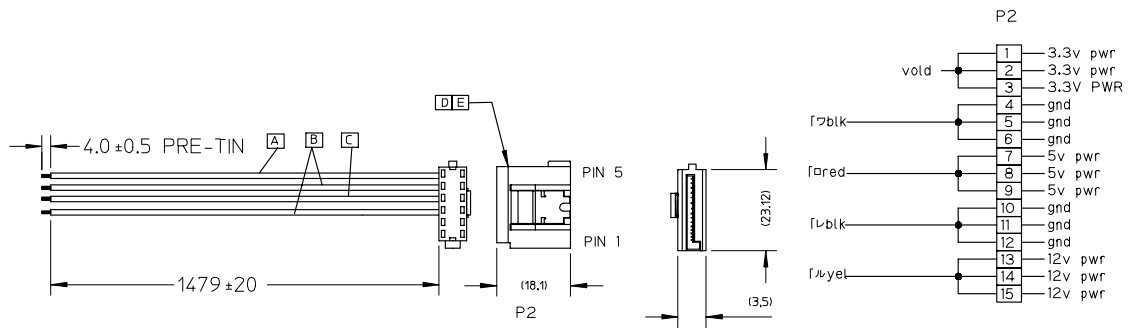


7 6 5 4 3 2 1



NOTE: 1. ELECTRIC PERFORMANCE:
 DIELECTRIC STRENGTH: 500 V DC.
 INSULATION RESISTANCE: 100M OHMS MIN.
 CONDUCTIVE RESISTANCE: 2 OHMS MAX.
 2. S-ATA HOUSING:
 POLYESTER (PBT), UL94V-0 (BLACK)

68561-0021	679260002	30u Gold - plated terminal
68561-0020	679260001	Gold flash terminal
MATERIAL NO	S-ATA CONN.	DESCRIPTION

E	COVER 679260040	1	
D	S-ATA CONN. - SEE TABLE	1	
C	UL1007 #18 RED 887711301	1	1485
B	UL1007 #18 BLK 887711300	2	2970
A	UL1007 #18 YEL 887711303	1	1485
ITEM	DESCRIPTION	QTY	L(mm)

ENTER DESCRIPTION EC NO: DG2005-0009 DRWNG: GXYANG CHKD: 2004/08/18 APPR: BOCHEN 2004/08/18	QUALITY SYMBOLS ▽=0 ▽=0	GENERAL TOLERANCES (UNLESS SPECIFIED)		DIMENSION STYLE MM ONLY		SCALE ---	DESIGN UNITS METRIC	THIRD ANGLE PROJECTION	
		4 PLACES ±--- ±---	mm INCH	DRAWN BY GXYANG	DATE 04/08/10	TITLE S-ATA IDT POWER LATCHING TO PIGTAIL CABLE ASSEMBLY 1.5M (5V+12V)			
		3 PLACES ±--- ±---	±--- ±---	CHECKED BY TEDDY	DATE 04/08/10				
		2 PLACES ±--- ±---	±--- ±---	APPROVED BY BORON	DATE 04/08/10	MOLEX INCORPORATED			
1 PLACE ±--- ±---	±--- ±---	ANGULAR ±---°							
DRAFT WHERE APPLICABLE MUST REMAIN WITHIN DIMENSIONS		MATERIAL NO. 685610020/1	DOCUMENT NO. SD-68561-004	SHEET NO. 1 OF 1		THIS DRAWING CONTAINS INFORMATION THAT IS PROPRIETARY TO MOLEX INCORPORATED AND SHOULD NOT BE USED WITHOUT WRITTEN PERMISSION			

tb_frame_A4_P_ME_T
 Rev. D 2004/04/02

6

5

4

3

2

1