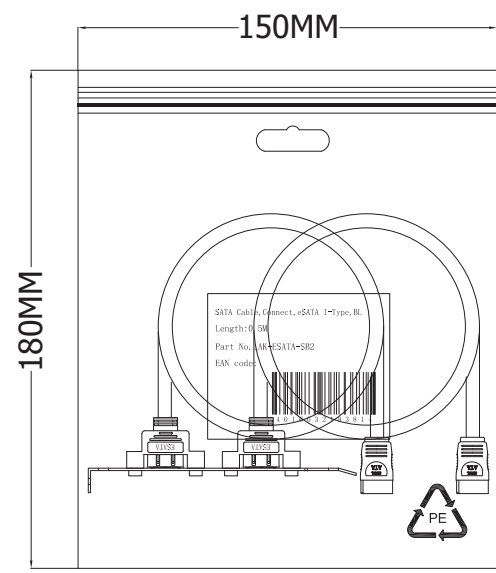


500MM±10MM

P1

P3



150MM

180MM

50MM

40MM

40MM

40MM

40MM

40MM

40MM

40MM

40MM

40MM

40MM

40MM

40MM

40MM

40MM

40MM

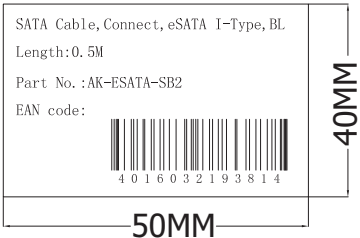
40MM

40MM

40MM

40MM

Label



50MM

40MM

40MM

40MM

40MM

40MM

40MM

40MM

40MM

40MM

40MM

40MM

40MM

40MM

40MM

40MM

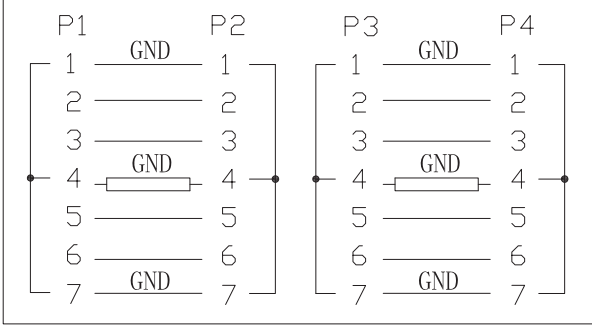
40MM

40MM

40MM

40MM

WIRING DIAGRAM



**Material:**

- Cable: UL2725 [26AWG(1/0.404)\*2+D(1/0.32)\*2+AL]\*2F  
- OD 2.2\*7.8MM  
- Jacket Red (200C/RD-16#)
- P1/P3 Connector: eSATA 7P/M Solder Type  
- Pin G/F  
- Insulator Black Metal  
- Shell Plate Nickel
- P2/P4 Connector: Serial ATA Female 7Pin  
- Pin G/F  
- Crimp type connector  
- Insulator Black
- Screw: M3.0\*10MM (M3.0 screwcap)

**Electrical:**

- 100% Open Short & Miswire Test
- Conductive Resistance: 2Ω (Max.)
- Insulation Resistance: 5MΩ (Min.)
- Hi-Pat Test 300V DC

⊕ = Assmann logo



ITEM NO. **AK-ESATA-SB2-R**

TITLE Slotbracket with External Serial ATA(eSATA) Dual connector

**ASSMANN**  
Electronics, Inc.

1840 W. Drake Drive, Suite 101 • Tempe, AZ 85283  
Toll Free: 1-877-277-6266 • Email: info@usa-assmann.com

THIS DRAWING IS UNPUBLISHED  
©Copyright 2009 by Assmann Electronic Components  
All International Rights Reserved