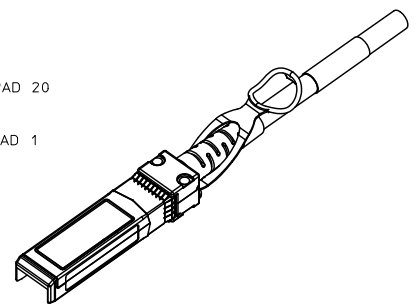
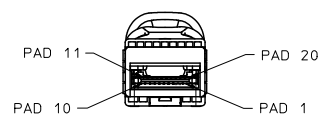
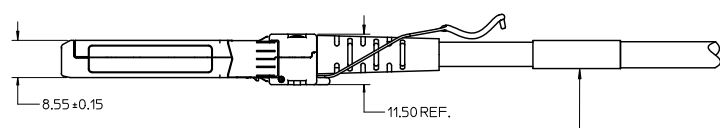
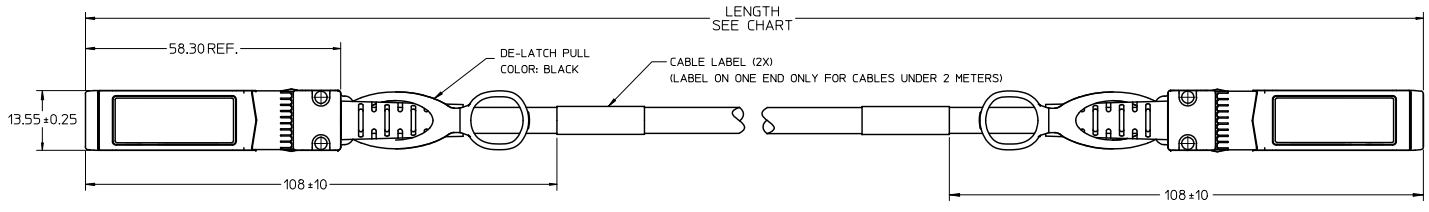
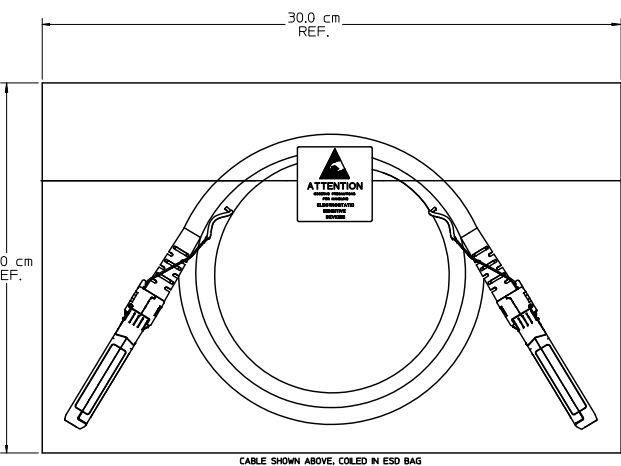


13 12 11 10 9 8 7 6 5 4 3 2 1



P/N: 74752-XXXX
S/N: YDDDLSSSS
XM XXAWG

YDDDLSSSS
Y---YEAR, THE LAST DIGIT OF THE YEAR
DDD---DAY OF THE YEAR
L---LOCATION
SSSS---SERIAL NO.



- NOTES:
- MATERIALS
BACKSHELLS - NICKEL PLATED ZINC
DE-LATCH - PLASTIC
PCB - FR-4
RIVETS - STAINLESS STEEL
 - IMPEDANCE - 100 OHMS DIFFERENTIAL, PASSIVE
 - PULL TO RELEASE: PLUNGER STYLE LATCH
 - EACH ASSEMBLY HAS A SERIAL ID
 - 11.09 Gbps BACKWARDS COMPATIBLE TO 1.0625 Gbps
 - THIS PRODUCT MEETS THE RESTRICTION OF HAZARDOUS SUBSTANCES IN ELECTRICAL AND ELECTRONIC EQUIPMENT (RoHS) DIRECTIVE (2002/95/EC)

WIRING DIAGRAM			
P1 END		P2 END	
PAD	SIGNAL	PAD	SIGNAL
12	RD-	19	TD-
13	RD+	18	TD+
18	TD+	13	RD+
19	TD-	12	RD-

CUSTOM LENGTHS AVAILABLE.
LONGER LENGTH APPLICATIONS REQUIRE
HOST SYSTEM PREAMPHASIS AND
EQUALIZATION.
SEE DATASHEET FOR MORE INFORMATION.

ADDED P/N -2401 EC NO. USY2010-0597 DRAWING ENG. LIST 2010/06/02 CHKD K LLOYD 2010/06/02 APPR: RAHMOOD 2010/06/15	QUALITY SYMBOLS	GENERAL TOLERANCES (UNLESS SPECIFIED)	DIMENSION STYLE	SCALE	DESIGN UNITS	THIRD ANGLE PROJECTION
	▽=0	4 PLACES ±--- ±---	MM ONLY	1.5:1	METRIC	
	▽=0	3 PLACES ±--- ±---				
		2 PLACES ±--- ±---				
	1 PLACE ±--- ±---	ANGULAR ±---°				
		DRAFT WHERE APPLICABLE MUST REMAIN WITHIN DIMENSIONS	SEE CHART			
			MATERIAL NO.	DOCUMENT NO.		SHEET NO.

TITLE: SFP+ PASSIVE 10G CABLE ASSEMBLY

MOLEX MOLEX INCORPORATED

SD-74752-001

1 OF 2

12 11 10 9 8 7 6 5 4 3 2 1

13 12 11 10 9 8 7 6 5 4 3 2 1

PART NUMBER	LENGTH	AWG
747520010	0.3M ±0.03M	32
747520011	0.5M ±0.03M	32
747520012	1M ±0.05M	32
747520013	2M ±0.05M	32
747520014	3M ±0.05M	32
747520015	4M ±0.05M	32
747520016	5M ±0.08M	32
747521031	0.3M ±0.03M	30
747521051	0.5M ±0.03M	30
747521101	1M ±0.05M	30
747521151	1.5M ±0.05M	30
747521201	2M ±0.05M	30
747521301	3M ±0.05M	30
747521401	4M ±0.05M	30
747521501	5M ±0.08M	30
747521601	6M ±0.08M	30
747521701	7M ±0.08M	30
747521801	8M ±0.08M	30
747521901	9M ±0.08M	30
747529001	10M ±0.08M	30
747529009	15M ±0.08M	30
747522031	0.3M ±0.03M	28
747522051	0.5M ±0.03M	28
747522101	1M ±0.05M	28
747522151	1.5M ±0.05M	28
747522201	2M ±0.05M	28
747522301	3M ±0.05M	28
747522401	4M ±0.05M	28
747522501	5M ±0.08M	28
747522701	7M ±0.08M	28
747522801	8M ±0.08M	28
747522901	9M ±0.08M	28
747529002	10M ±0.08M	28
747529010	15M ±0.08M	28
747529011	20M ±0.08M	28

PART NUMBER	LENGTH	AWG
747523051	0.5M ±0.03M	26
747523061	0.6M ±0.03M	26
747523101	1M ±0.05M	26
747523201	2M ±0.05M	26
747523301	3M ±0.05M	26
747523501	5M ±0.08M	26
747523701	7M ±0.08M	26
747523901	9M ±0.08M	26
747529003	10M ±0.08M	26
747524051	0.5M ±0.03M	24
747524101	1M ±0.05M	24
747524201	2M ±0.05M	24
747524301	3M ±0.05M	24
747524401	4M ±0.05M	24
747524501	5M ±0.08M	24
747524601	6M ±0.08M	24
747524701	7M ±0.08M	24
747524801	8M ±0.08M	24
747524901	9M ±0.08M	24
747529004	10M ±0.08M	24
747529013	11M ±0.08M	24
747529008	12M ±0.08M	24
747529015	13M ±0.08M	24
747529016	14M ±0.08M	24
747529007	15M ±0.08M	24
747529012	20M ±0.08M	24

ADDED P/N -2401 EC NO. USY2010-0597 DRAWN BY: JERWIN CHECKED BY: KILLOYD APPR: RMAHMOOD DATE: 2010/06/02 DATE: 2010/06/15	QUALITY SYMBOLS ▽=0 ▽=0	GENERAL TOLERANCES (UNLESS SPECIFIED)		DIMENSION STYLE MM ONLY		SCALE 1:1	DESIGN UNITS METRIC	THIRD ANGLE PROJECTION	
		4 PLACES ±--- ±--- 3 PLACES ±--- ±--- 2 PLACES ±--- ±--- 1 PLACE ±--- ±---	mm INCH	DRAWN BY JERWIN	DATE 2007/01/30	TITLE SFP+ PASSIVE 10G CABLE ASSEMBLY			
		ANGULAR ±---°		CHECKED BY KILLOYD	DATE 2007/01/30	APPROVED BY RMAHMOOD			
		DRAFT WHERE APPLICABLE MUST REMAIN WITHIN DIMENSIONS	MATERIAL NO. SEE CHART	DATE 2007/01/30	DOCUMENT NO. SD-74752-001	MOLEX INCORPORATED			
				THIS DRAWING CONTAINS INFORMATION THAT IS PROPRIETARY TO MOLEX INCORPORATED AND SHOULD NOT BE USED WITHOUT WRITTEN PERMISSION		SHEET NO. 2 OF 2			

12 11 10 9 8 7 6 5 4 3 2 1