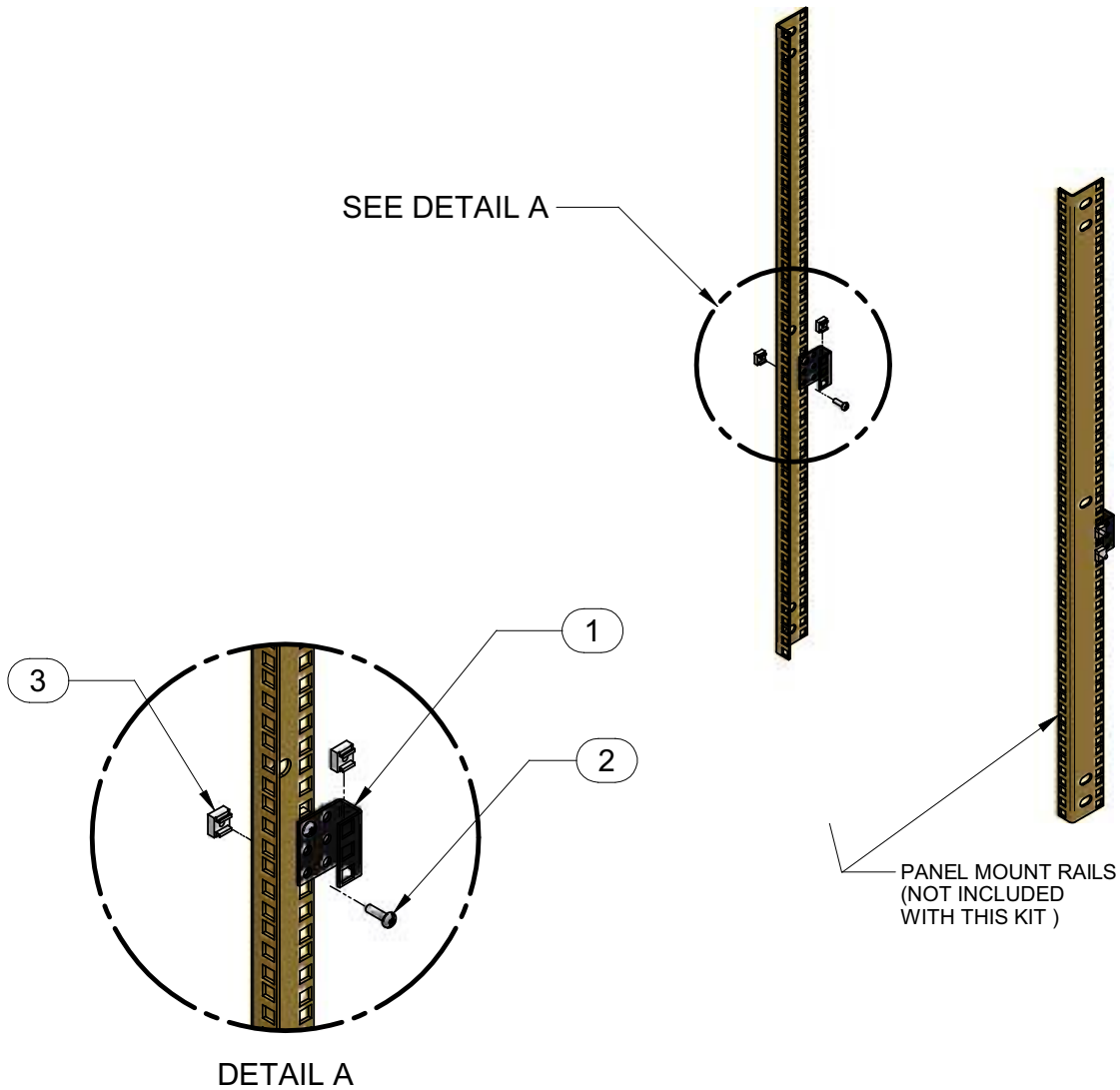


# CPR - SERIES

## ASSEMBLY INSTRUCTIONS FOR PANEL RAIL SHELF ADAPTER

**BUL10338**  
REV. A  
PAGE 1 OF 1



### ASSEMBLY INSTRUCTIONS:

- 1) INSTALL CAGE NUTS INTO PANEL RAILS AT DESIRED LOCATIONS FOR MOUNTING ADAPTERS.
- 2) FASTEN ADAPTERS IN PLACE USING 10-32 SCREWS SUPPLIED.
- 3) INSTALL CAGE NUTS INTO ADAPTERS AT DESIRED LOCATION FOR MOUNTING ACCESSORY.

ITEM	QTY.	DESCRIPTION
1	4	PANEL RAIL SHELF ADAPTER
2	12	10-32 X 5/8" LG SCREW
3	12	10-32 CAGE NUT

TOOL BOX



Phillips  
Screw Driver

