

# CENB1080

Universal Input 80 Watt Series



ITE Switch-Mode Power Supply

3 Year Warranty

- 100-240VAC Universal Input
- Meets EISA2007, CEC Efficiency Level V, EU (EC) No 278/2009 Phase II
- Desktop Style
- 12V to 48V Single Output Models, up to 80W
- Modified and Custom Designs Available
- Regulated Output with Low Ripple
- Impact-Resistant Polycarbonate Enclosure
- No Load Power Consumption <0.5W
- Certified to UL/EN/IEC60950-1, 2<sup>nd</sup> Edition



## Specifications

All Specifications are typical at nominal input, full load at 25°C unless otherwise stated.

AC Input	100-240Vac, +/-10%, 47-63 Hz, 1Ø	MTBF	>100,000 hours calculated
Input Current	100Vac: 1.35A	Hold-up Time	18 ms min. @ 115Vac, 60 ms min. @ 230 Vac
Inrush Current	60A peak @ 264Vac, cold start	Overload Protection	Hiccup Mode
Input Fuse	3.15A, 250V Internal Primary Current Fuse provided	Short Circuit Protection	Hiccup Mode
Efficiency	Meets International Efficiency Level V	Topology	Switching – Fixed Frequency Flyback
Output Voltage	See chart	Safety and EMC Approvals	EN/IEC/CSA/UL60950-1, 2 <sup>nd</sup> Edition EMC: See chart
Output Power	See chart	Dielectric Withstand	Input-Output: 4,242Vdc Input-GND: 1,500 Vac, Output-GND: 500Vdc
Ripple and Noise	1% pk-pk max., 20MHz BW	Operating Temperature	0° to 40°C, no derating
Line/Load Regulation	Line: +/- 1 to 2%, Load: +/-5% at end of cable	Storage Temperature	-30 to +85°C
Transient Response	500µs max., 50% load step, typical	Relative Humidity	5% to 95%, non-condensing
Minimum Load	Not required	Altitude	0 to 10,000 ft
Case Material	Black 94V0 Polycarbonate	Output Connections	Cable: 20AWG, 1,800mm, 4 conductor Connector: Ault #3, 2.5mm barrel or #51, 6-pin Molex (12V model)
Case Dimensions	131 x 72 x 43mm. See outline drawing	Weight	500g

## EMI/EMC Compliance

Conducted Emissions	FCC Part 15, Class B, EN55022 Class B, EN55024
Radiated Emissions	FCC Part 15, Class B, EN55022 Class B, EN55024
Voltage Fluctuations	EN61000-3-3, Line Flicker
Static Discharge Immunity	EN61000-4-2, 6kV Contact Discharge, 8kV air discharge
Radiated RF Immunity	EN61000-4-3, 3V/m.
EFT/Burst Immunity	EN61000-4-4, 2kV/5kHz..
Line Surge Immunity	EN61000-4-5, 1kV differential, 2kV common-mode
Conducted RF Immunity	EN61000-4-6, 3Vrms
Power Frequency Magnetic Field Immunity	EN61000-4-8, 3A/m
Voltage Dip Immunity	EN61000-4-11 crit. A, 100Vac 60Hz, 40%/5 cycles with 70% full load.
Line Frequency Harmonics	EN61000-3-2, Class A

# CENB1080

Universal Input 80 Watt Series

ITE Switch-Mode Power Supply

3 Year Warranty

Model Number	Volts (V)	Output Current (max)	Max Watts	Ripple (Vp-p max)
CENB1080A1251F01	12 V	6.5 A	78.0 W	120mV
CENB1080A1503F01	15 V	5.2 A	78.0 W	150mV
CENB1080A1803F01	18 V	4.33 A	78.0 W	180mV
CENB1080A2403F01	24 V	3.25 A	78.0 W	240mV
CENB1080A4803F01	48 V	1.65 A	79.2 W	480mV

## Model Number Key

**CENB 1 080 A VV 03 F 01**

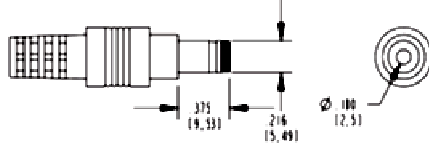
<b>Model</b>	"01" = Standard. "02" and higher indicates a modified model.
<b>Input Connector:</b>	"F" = IEC320 C14 grounded, Other options available, see next page.
<b>Output Connector:</b>	"03" = Ault #3, 2.5mm barrel connector or #51, 6-pin Molex. Other options available,
<b>Output Voltage:</b>	"12" = 12Vdc, "15" = 15Vdc, "18" = 18Vdc, "24" = 24Vdc, "48" = 48Vdc
<b>Model</b>	"A" = Original Configuration
<b>Output Power:</b>	"080" = 80 Watts
<b># of Outputs</b>	"1" = Single Output
<b>Product Family:</b>	"C" = Commercial/ITE/Industrial, "E" = External, "NB" = Model Series Designator

## Input Receptacle



## Output Connector

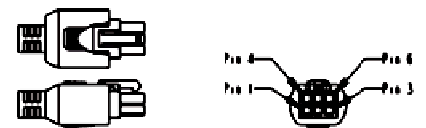
3



"#3" Connector is 2.5mm barrel type, center (+)

## Output Connector (12V Model)

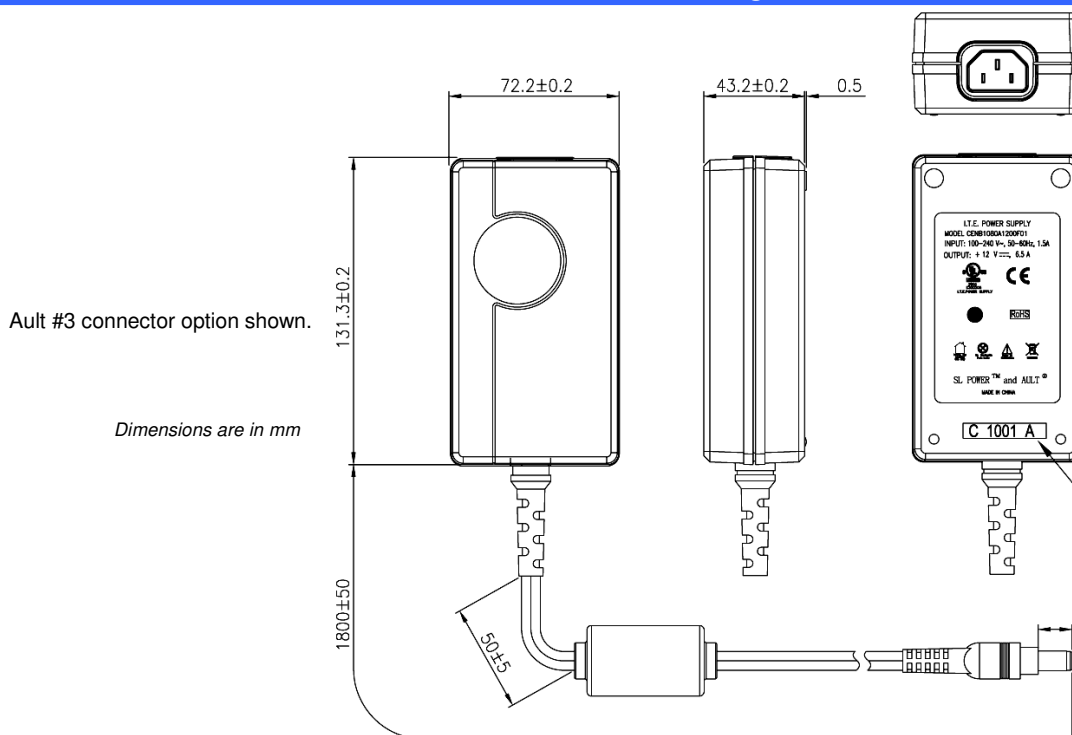
51



"#51" Connector is Molex 39-01-2060 or equivalent.

"51" Connector Pinout: Pins 1, 4: (+), Pins 3, 6: (-). Mate = Molex 39-01-2061 or equiv.

## Outline Drawing



Data Sheet © 2011 SL Power Electronics Corp. The information and specifications contained herein are believed to be correct at the time of publication. However, SL Power accepts no responsibility for consequences arising from reproduction errors or inaccuracies. Specifications are subject to change without notice. Rev. 4-25-2011