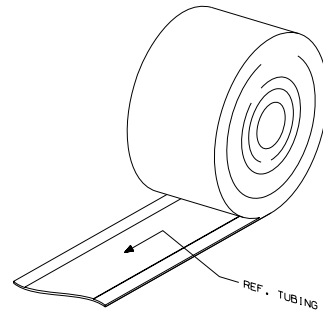
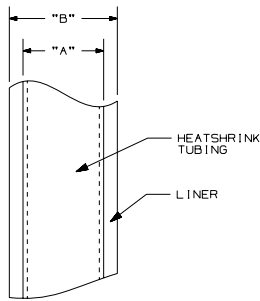


THIS COPY IS PROVIDED ON A RESTRICTED BASIS AND IS NOT TO BE USED IN ANY WAY DETRIMENTAL TO THE INTERESTS OF PANDUIT CORP.

PART NO.	HEATSHRINK TUBING	COLOR	TUBING WIDTH "A"	LINER WIDTH "B"	ROLL LENGTH
H000X025H1C	GMUHS	WHITE	.25 [6.35] REF.	0.85 [21.59]	96.0" +10.0"/-0.0 [2438.4 mm +254 mm/-0.0 mm]
H000X025H2C	GMUHS	YELLOW	.25 [6.35] REF.	0.85 [21.59]	96.0" +10.0"/-0.0 [2438.4 mm +254 mm/-0.0 mm]
H000X034H1C	GMUHS	WHITE	.34 [8.64] REF.	0.85 [21.59]	96.0" +10.0"/-0.0 [2438.4 mm +254 mm/-0.0 mm]
H000X034H2C	GMUHS	YELLOW	.34 [8.64] REF.	0.85 [21.59]	96.0" +10.0"/-0.0 [2438.4 mm +254 mm/-0.0 mm]
H000X044H1C	GMUHS	WHITE	.44 [11.18] REF.	0.85 [21.59]	72.0" +10.0"/-0.0 [1828.8 mm +254 mm/-0.0 mm]
H000X044H2C	GMUHS	YELLOW	.44 [11.18] REF.	0.85 [21.59]	72.0" +10.0"/-0.0 [1828.8 mm +254 mm/-0.0 mm]
H000X084H1C	GMUHS	WHITE	.84 [21.34] REF.	1.13 [28.70]	72.0" +10.0"/-0.0 [1828.8 mm +254 mm/-0.0 mm]
H000X084H2C	GMUHS	YELLOW	.84 [21.34] REF.	1.13 [28.70]	72.0" +10.0"/-0.0 [1828.8 mm +254 mm/-0.0 mm]

- NOTES:
 1. SEE MFG. DWG. NO. A61400.
 2. DIMENSIONS IN [] ARE IN MILLIMETERS.



										C/D FILENAME/LAYERS 1004720K_C10553_H000XxxxHxC_00 prt						
										PANDUIT CORP TINLEY PARK, ILLINOIS						
										CUSTOMER DRAWING LSB MIL-SPEC HEATSHRINK MARKERS H***X***H1C, -H2C						
										UNLESS OTHERWISE SPECIFIED, DIMENSIONAL TOLERANCES ARE: (.XX) ± .03 (XXX) ± .010 (.XXX) ± .015 ANGLES ±						
										UNLESS OTHERWISE SPECIFIED, ALL DIMENSIONS ARE GIVEN IN INCHES, THIRD ANGLE PROJECTION						
0	1-19-07	RVU	DRAWING RELEASE.				4850	R			DATE 1-19-07	MATERIAL SEE TABLE.	SCALE FULL	DWG C10553	DWG B SIZE	
REV	DATE	BY	CHK	DESCRIPTION				ECN	R	CUST	SUP	DATE				