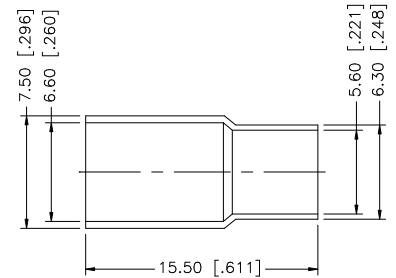
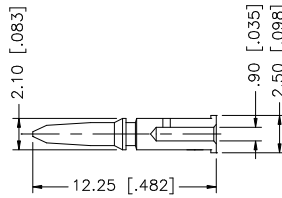
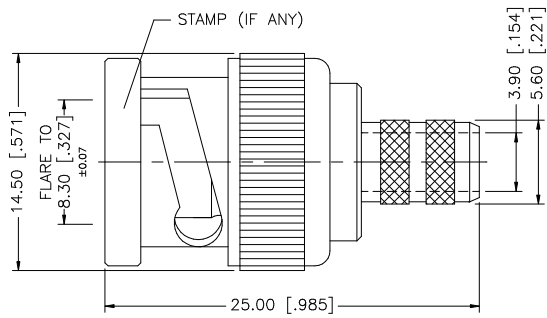
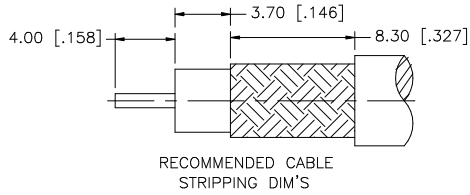


REV.	DATE	DESCRIPTION
A	06/06/05	UPDATE DRAWING FORMAT
B	01/22/07	MODIFY CONTACT PIN I.D. TO 0.9mm



NOTE:

1. CRIMPED FERRULE HEX CRIMP SIZE .255"
2. CRIMPED CONTACT PIN HEX CRIMP SIZE .068"

DESCRIPTION	MATERIAL	FINISH	QTY	UNLESS OTHERWISE SPECIFIED DIMENSIONS ARE IN MILLIMETERS. DIMENSIONS IN [] ARE IN INCHES AND FOR CUSTOMER REFERENCE ONLY.	APPROVALS	DATE	Amphenol Connex							
8					DRAWN	G.R.S.	01/22/07	PART DESCRIPTION BNC CRIMP PLUG (FOR RG-59/U 20AWG CONTACT)						
7					CHECKED									
6					ISSUED			PART NO. 112544						
5	FERRULE	COPPER	NICKEL	1	SHEET	1 OF 1								
4	GASKET	RUBBER	RED	1	CAD FILE	C:/112/112544.DWG	DWG. NO.	112544.DWG	REV.	B	SIZE	A	SCALE	NA
3	INSULATOR	DELTRIN	NATURAL	1	UNLESS OTHERWISE SPECIFIED TOLERANCES FOR MILLIMETERS ARE: 0.5 - 8mm ± 0.20mm 8 - 30mm ± 0.40mm 30 - 120mm ± 0.50mm UNLESS OTHERWISE SPECIFIED TOLERANCES FOR INCHES ARE: .020 - .315 = ± 0.007" .315 - 1.180 = ± 0.015" 1.180 - 4.724 = ± 0.020"									
2	CONTACT PIN	BRASS	GOLD	1	DO NOT SCALE DRAWING									
1	SHELL/BODY	BRASS	NICKEL	1										