

# Customer Information Sheet

DRAWING No.: M20-783XXXX

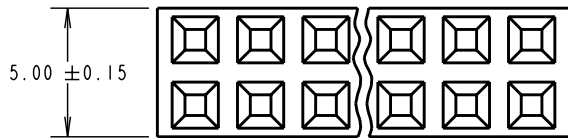
IF IN DOUBT - ASK

(C)

NOT TO SCALE

THIRD ANGLE PROJECTION

ALL DIMENSIONS IN mm



ORDER CODE:

**M20-783XXXX**

No. OF WAYS PER ROW: \_\_\_\_\_  
02 TO 40

FINISH: \_\_\_\_\_  
42 = SELECTIVE GOLD + 100% TIN  
46 = 100% TIN

SPECIFICATION:

MATERIAL:

MOULDING = NYLON 6T UL94V-0, BLACK  
CONTACTS = PHOSPHOR BRONZE

FINISH:

42 = GOLD ON CONTACT AREA, 100% TIN  
ON TAILS.

46 = 100% TIN

ELECTRICAL:

CURRENT RATING = 3A

VOLTAGE PROOF = 500V AC/DC

CONTACT RESISTANCE = 20 MILLIOHMS MAX

INSULATION RESISTANCE = 5,000 MEGOHMS MIN

ENVIRONMENTAL:

TEMPERATURE RANGE = -40° TO +105°

MECHANICAL:

INSERTION FORCE = 5N MAX

WITHDRAWAL FORCE = 0.2N MIN

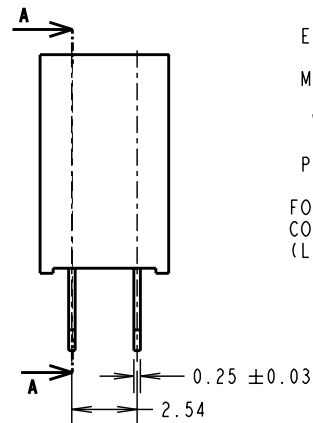
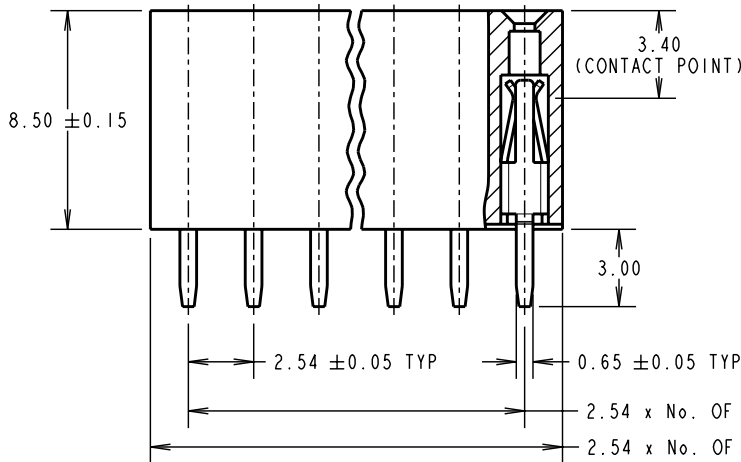
DURABILITY = 50 OPERATIONS

PACKING:

TUBE

FOR COMPLETE SPECIFICATION SEE  
COMPONENT SPECIFICATION C001XX  
(LATEST ISSUE)

PART  
SECTION A-A



NOTES:

1. RECOMMENDED PCB HOLE SIZE =  $\varnothing 1.00\text{mm}$

CP	10	10.09.09	10298
NAME	ISS.	DATE	C/NOTE
APPROVED: C.PENROSE			
CHECKED: R.ADDE			
DRAWN: J.EVANS			
CUSTOMER REF.:			
ASSEMBLY DRG:			

**HARWIN**

HARWIN USA  
TEL: 603 893 5376  
FAX: 603 893 5396  
mis@harwin.com

HARWIN Europe (UK)  
TEL: 023 9231 4545  
FAX: 023 9231 4590  
mis@harwin.co.uk

HARWIN Asia  
TEL: +65 6 779 4909  
FAX: +65 6 779 3868  
mis@harwin.com.sg

THIS DRAWING AND ANY  
INFORMATION OR DESCRIPTIVE  
MATTER SET OUT HEREON ARE  
CONFIDENTIAL AND COPYRIGHT  
PROPERTY OF THE HARWIN  
GROUP AND MUST NOT BE  
DISCLOSED, LOANED, COPIED  
OR USED FOR MANUFACTURING,  
TENDERING OR FOR ANY  
OTHER PURPOSE WITHOUT  
THEIR WRITTEN PERMISSION.

TOLERANCES

X. =  $\pm 1\text{mm}$   
X.X =  $\pm 0.25\text{mm}$   
X.XX =  $\pm 0.10\text{mm}$   
X.XXX =  $\pm 0.01\text{mm}$

ANGLES =  $\pm 5^\circ$

UNLESS STATED

MATERIAL:

SEE ABOVE

FINISH: SEE ABOVE

S/AREA: mm<sup>2</sup>

TITLE:

2.54mm PITCH DIL VERTICAL  
PC TAIL SOCKET ASSEMBLY

DRAWING NUMBER:

**M20-783XXXX**

SHT

2 OF 2