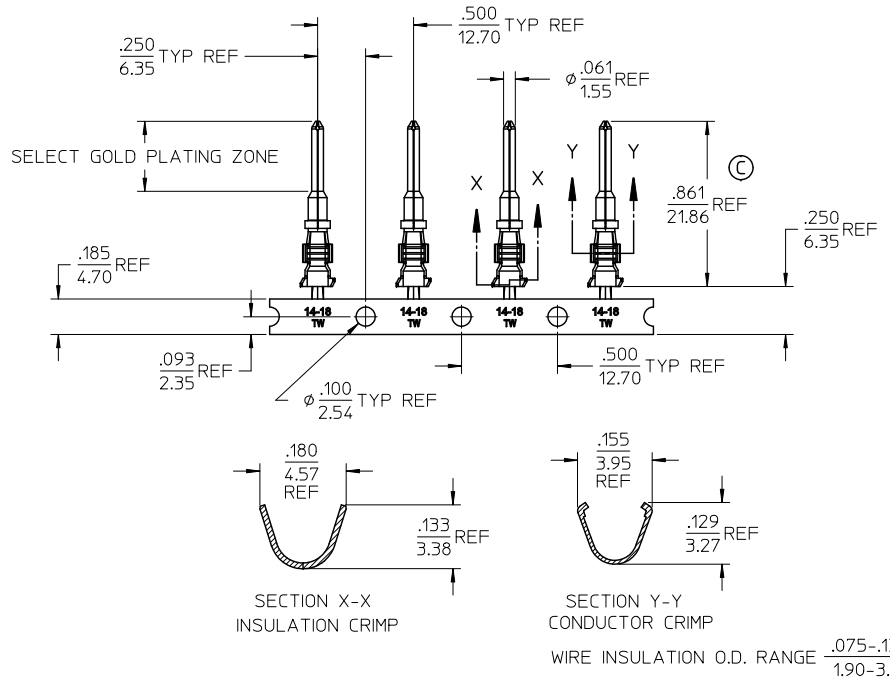
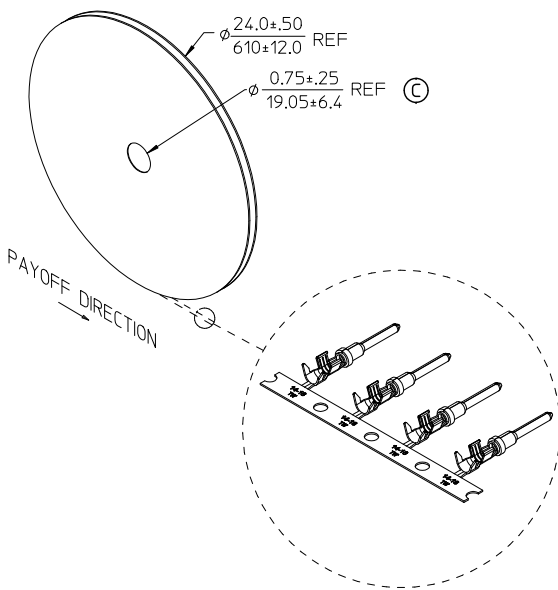


STRIP MATERIAL NUMBER	FINISH
84524-0008	OVERALL NICKEL 80µ" MINIMUM
84524-0016	SELECTIVE HARD GOLD 30µ" MINIMUM OVER NICKEL 50µ" MINIMUM



NOTES:

1. MATERIAL: COPPER ALLOY .0118/0.300 THICK.
2. FINISH: SEE CHART.
3. STRIP PARTS ARE REELED 3000 PARTS PER REEL AS SHOWN ABOVE.
4. TERMINAL FOR USE ON XRC CONNECTOR ASSEMBLIES
5. ALL MATERIALS AND FINISHES ARE ROHS COMPLIANT.

UPDATE DIMS. EC NO: WNAZ010-0714 DRAWN/CHKD: CHYD APPROV: DTITUS 2010/05/24 2010/10/13	QUALITY SYMBOLS ▽=0 ▽=0	GENERAL TOLERANCES (UNLESS SPECIFIED)		DIMENSION STYLE IN/MM		SCALE 2:1		DESIGN UNITS INCH		THIRD ANGLE PROJECTION	
		mm INCH		DRAWN BY MODELL		DATE 2009/04/03		TITLE XRC PIN TERMINAL			
		4 PLACES ± --- ± ---		CHECKED BY RDEROSS		DATE 2009/04/03		14-18AWG .075"-.130" WIRE DIA.			
		3 PLACES ± --- ± .005		APPROVED BY DTITUS		DATE 2010/10/13		MOLEX INCORPORATED			
2 PLACES ± 0.13 ± ---		MATERIAL NO. SEE CHART		DOCUMENT NO. SD-84524-002		SHEET NO. 1 OF 1					
1 PLACE ± --- ± ---		DRAFT WHERE APPLICABLE MUST REMAIN WITHIN DIMENSIONS		SIZE B		THIS DRAWING CONTAINS INFORMATION THAT IS PROPRIETARY TO MOLEX INCORPORATED AND SHOULD NOT BE USED WITHOUT WRITTEN PERMISSION					
ANGULAR ± ---°											