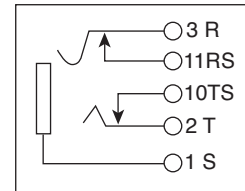
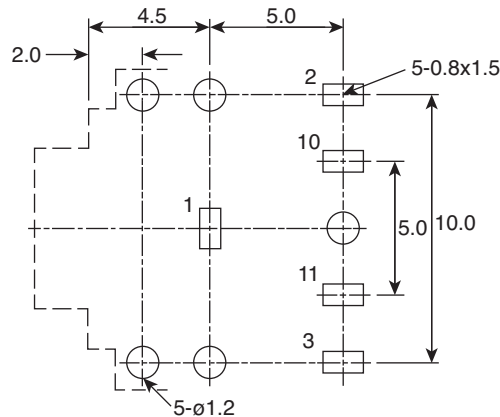
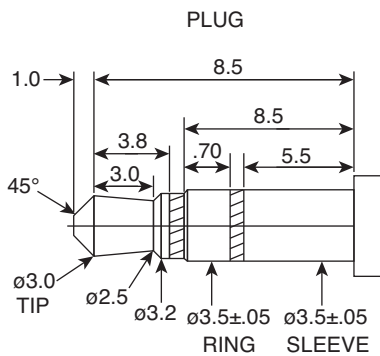
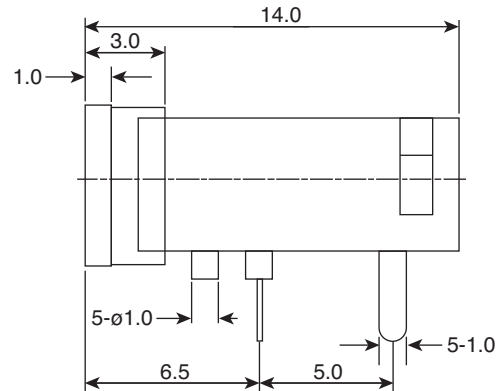
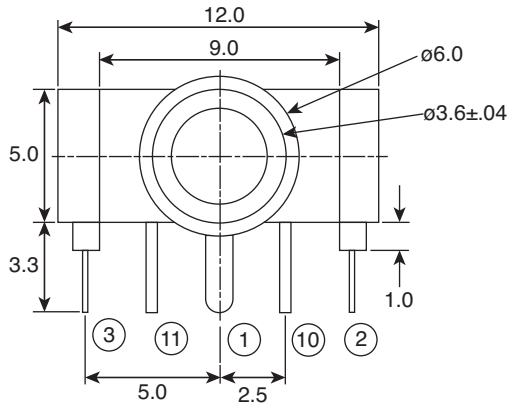


Phone Jack

161-3645-E



Phone Jack



PCB LAYOUT (± 0.1)
(BOTTOM VIEW)

Dimensions: mm

| Electrical Specifications | |
|---------------------------|---------------------|
| Voltage/Current: | DC12V, 1A |
| Insulation Resistance: | 100M ohms @ 500VDC |
| Operating Temperature: | -20°C to 60°C |
| Contact Resistance: | 30M ohms max |
| Dielectric Strength: | 500VAC for 1 minute |
| Insertion Force: | 0.3kg~3.0kg |
| Extraction Force: | 0.3kg~3.0kg |
| Solder Temp: | 260 \pm 5°C |
| Dip Time: | 5 \pm 1 seconds |

| Material Specifications | | | | |
|-------------------------|---|--------------|--------|-------|
| Sleeve | 1 | Copper Alloy | Tin | |
| Tip | 1 | Copper Alloy | Tin | |
| Ring | 1 | Copper Alloy | Tin | |
| Busing | 1 | Brass | Nickel | |
| Housing | 1 | PBT | | Black |
| Tip Shunt | 1 | Brass | Tin | |
| Ring Shunt | 1 | Brass | Tin | |
| RoHS Compliant | | | | |

Date Last Revised: 5/15/09

Available from Mouser Electronics
1-800-346-6873 / www.mouser.com

KC-301349

Specifications are subject to change without notice. No liability or warranty implied by this information. Environmental compliance based on producer documentation.

161-3645-E