



Lead Free Upgrades for Metcal SmartHeat® Soldering Products

OK International has been a leading manufacturer of tools for the electronics work bench for almost 60 years. Some of the most popular products have been the Metcal line of soldering, desoldering and rework systems. Through the years, the Metcal MX-500 and SP200 Systems have held a strong reputation for reliability, robustness and longevity.

What makes these systems relevant today is they are appropriate for lead-free, even the systems that have been in use on benches for years. This means changing to lead-free can be cost effective and doesn't necessarily require replacing soldering irons.

Your Metcal soldering system, with SmartHeat® technology, uniquely sense the exact thermal requirement for each solder joint and respond by delivering the precise amount of thermal energy at the rate required to create a reliable connection. It is this technology that allows MX-500 and SP200 Systems to work expertly on lead-free solder joints.

To help you convert your current lines to lead-free, we have released a range of product enhancements for your existing MX-500 and SP200 Soldering Systems as you make the transition to lead-free soldering.

The enhancements address three areas of concern for engineers who are introducing lead-free:

- Identifying systems using lead-free solders from those using leaded solders.
- Maximizing consumable life without affecting performance.
- Delivering more power without damaging the substrate.

OKi
OK INTERNATIONAL™
www.okinternational.com





Workstand Upgrade and Identification Kits

The new Auto-sleep Workstands help increase tip life by allowing the tip cartridge to idle at a lower temperature, thereby reducing oxidation. The Auto-sleep Workstands are also available with green tip cradle inserts to easily identify lead-free stations. In addition, green bands that clip onto tip cartridges, identifying them as being used for lead-free processes, are available.

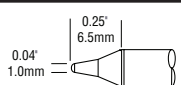
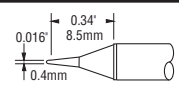
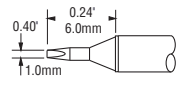
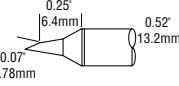
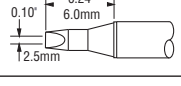
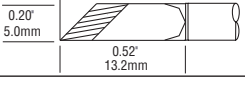
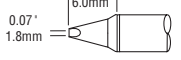
Part No.	Description
PS-WSAS	Auto-sleep Workstand for SP200 Soldering Systems
PS-WSAS-G	Auto-sleep Workstand for SP200 Soldering Systems with Green Cradle
MFR-WSAS	Auto-sleep Workstand for MX-500 s Soldering Systems
MFR-WSAS-G	Auto-sleep Workstand for MX-500 Soldering Systems with Green Cradle
AC-CK2	Green Cartridge Identification Rings for STTC Cartridges (Pack 50)
AC-CK3	Green Cartridge Identification Rings for SSC Cartridges (Pack 50)

Power Tip Enhancements

All SSC Tip Cartridges, for the SP200 Soldering System, have been upgraded with a new, high power coil assembly that delivers additional power to demanding solder joints, without the need to increase temperature. Please visit our web site to view the current line of SSC Tips, www.okinternational.com.

Additionally, a new range of STTC Tips for the MX-500 Series with optimized tip geometries has been developed. These tips are specially designed to deliver heat more efficiently for common hand soldering applications. The new STTC Tips are listed below.

STTC Tips

	Part No.	Solder Tip		Part No.	Solder Tip
	STTC-101P	Conical Sharp 1mm (.04")		STTC-145P	Conical 0.4mm (.016")
	STTC-125P	Chisel 30° 1mm (.04")		STTC-147P	Bevel 60° 1.78mm (.07")
	STTC-136P	Chisel 30° 2.5mm (.10")		STTC-1173P	Knife 5.0mm (.22")
	STTC-137P	Chisel 30° 1.8mm (.07")			

Note that these new tips are only available with the 700 Series heater.

