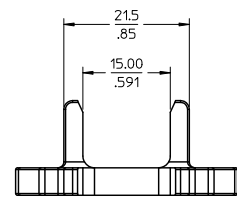
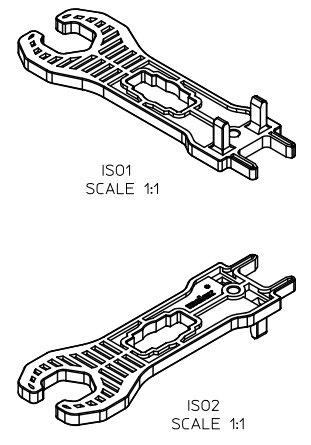
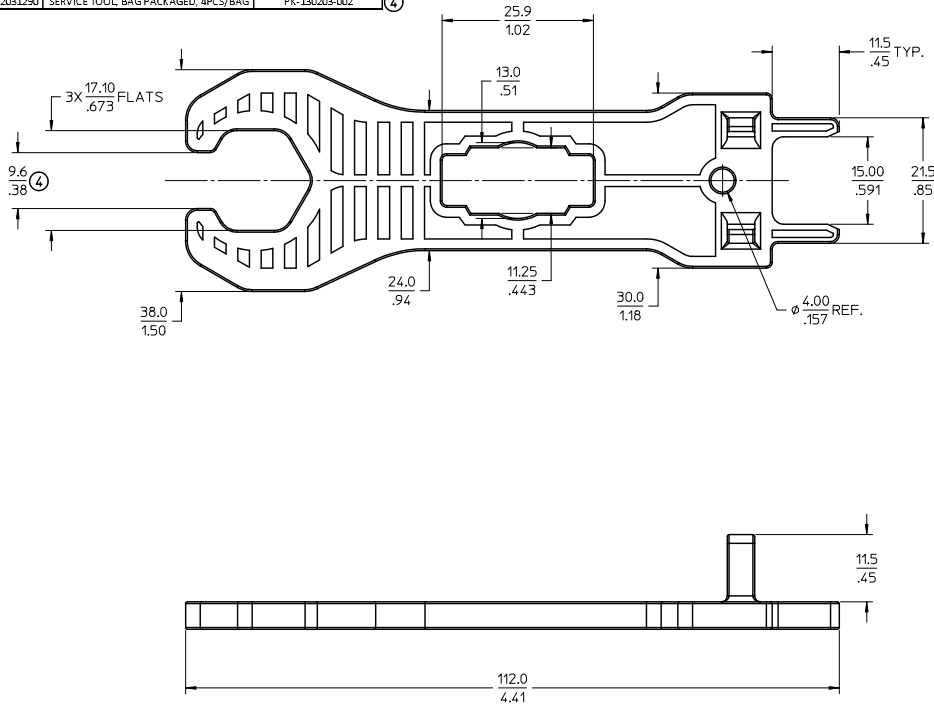


MATERIAL NUMBER	DESCRIPTION	PACKAGING SPECIFICATION
1302031250	SERVICE TOOL, BULK PACKAGED	PK-130203-001
1302031250	SERVICE TOOL, BAG PACKAGED, 4PCS/BAG	PK-130203-002



NOTES:

1. MATERIAL: POLYAMIDE 66 (PA66)
2. FINISH: BLACK
3. PRODUCT SPECIFICATION: PS-130244-001
4. PACKAGING SPECIFICATION: SEE CHART
5. APPLICATION SPECIFICATION: AS-130244-001
6. USE WITH: 130244 SERIES HOUSING ASSEMBLIES

UPDATE PER FRIADD MATL4	QUALITY SYMBOLS
EC NO: WNA2011-0358	▽=0
DRAWN: CLYORK 2011/01/05	▽=0
CHKD: DTITUS	
APPR: DTITUS 2011/01/18	
REV	

GENERAL TOLERANCES (UNLESS SPECIFIED)	
	mm
4 PLACES	± 0.10
3 PLACES	± 0.15
2 PLACES	± 0.25
1 PLACE	± 0.5
ANGULAR ± 3°	
DRAFT WHERE APPLICABLE MUST REMAIN WITHIN DIMENSIONS	

DIMENSION STYLE	
MM/IN	
DRAWN BY	DATE
CLYORK	2010/04/15
CHECKED BY	DATE
DTITUS	2010/04/15
APPROVED BY	DATE
DTITUS	2010/05/07
MATERIAL NO.	DOCUMENT NO.
SEE CHART	SD-130203-001
SIZE	
C	

SCALE	DESIGN UNITS	THIRD ANGLE PROJECTION
2:1	METRIC	
TITLE		
UNLOCK TOOL, PV SOLAR DC CONNECTOR		
MATERIAL NO.		
MOLLEX INCORPORATED		
DOCUMENT NO.		SHEET NO.
SD-130203-001		1 OF 1
THIS DRAWING CONTAINS INFORMATION THAT IS PROPRIETARY TO MOLEX INCORPORATED AND SHOULD NOT BE USED WITHOUT WRITTEN PERMISSION		