

Customer Information Sheet

DRAWING No.: Z80-290

SHEET 2 OF 2

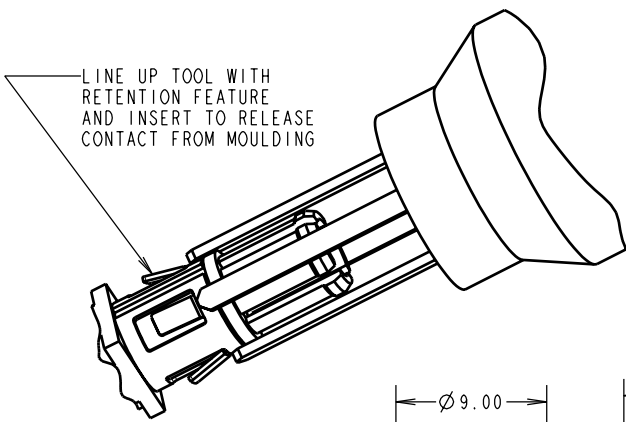
IF IN DOUBT - ASK

©

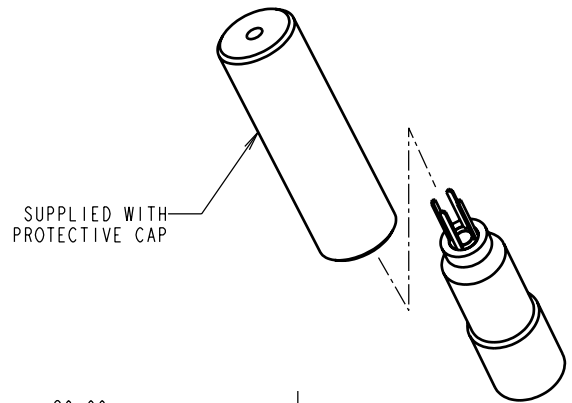
NOT TO SCALE

THIRD ANGLE PROJECTION

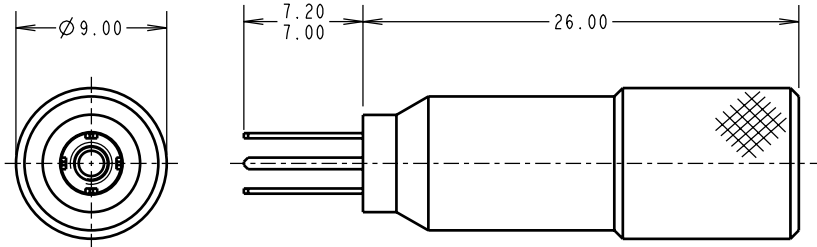
ALL DIMENSIONS IN mm



LINE UP TOOL WITH RETENTION FEATURE AND INSERT TO RELEASE CONTACT FROM MOULDING



SUPPLIED WITH PROTECTIVE CAP



FOR REMOVAL OF CONTACT PART No.:
M80-305, M80-306, M80-307
M80-308, M80-309
M80-315, M80-316, M80-317
M80-318, M80-319
M80-325, M80-326, M80-327
M80-335, M80-336, M80-337

MGP	2	01.02.07	9683
NAME	ISS.	DATE	C/NOTE
APPROVED: MGP			
CHECKED: JMB			
DRAWN: J BROOKES			
CUSTOMER REF.:			
ASSEMBLY DRG:			

HARWIN

HARWIN INC U.S.A. TEL: (812) 542 2540 FAX: (812) 542 2541	HARWIN PLC U.K. TEL: 023 9231 4545 FAX: 023 9231 4590	HARWIN PTE SINGAPORE TEL: 65 6779 4909 FAX: 65 6779 3868
--	--	---

THIS DRAWING AND ANY INFORMATION OR DESCRIPTIVE MATTER SET OUT HEREON ARE CONFIDENTIAL AND COPYRIGHT PROPERTY OF THE HARWIN GROUP AND MUST NOT BE DISCLOSED, LOANED, COPIED OR USED FOR MANUFACTURING, TENDERING OR FOR ANY OTHER PURPOSE WITHOUT THEIR WRITTEN PERMISSION.

TOLERANCES
 X. = ±1mm
 X.X = ±0.25mm
 X.XX = ±0.10mm
 X.XXX = ±0.01mm
 ANGLES = ±5°
 UNLESS STATED

MATERIAL:
 FINISH:
 S/AREA: mm²

TITLE: MIX TEK SPECIAL CONTACT REMOVAL TOOL
 DRAWING NUMBER: Z80-290
 SHT 2 OF 2