

Amphenol

NEW PRODUCT UPDATE NEW PRODUCT UPDATE NEW PRODUCT UPDATE NEW PRODUCT UPDATE

12" BNC INSTALLATION/REMOVAL TOOL

This Tool is Perfect for High Density Panel Applications!



The Amphenol[®] 12" BNC Installation/Removal Tool

The 12" BNC installation/removal tool has been designed and manufactured for the true Broadcast and Telco installation professional. This tool will out perform all the other BNC installation/removal tools in the market today, guaranteed!

The Barrel of the 12" BNC installation/removal tool is precision machined from high strength tool steel and then heat treated for long life. This barrel will NOT stretch. This tool also has: a high strength tool steel shaft, a wider cable slot to fit over larger OD cables, a rust resistant clear zinc plating, an extruded and polished

resin handle and it is made in the USA. The 12" BNC installation/removal tool is available individually bagged for peg hooks thus facilitating ease in marking and packaging.

Applications

- ¥ Use to insert and remove BNC connectors in high density digital video patchbays.
- ¥ Wider barrel slot fits over Canare L-7CFB and Belden 9292 cables.
- ¥ Use to insert and remove BNC connectors in high density Digital cross connect systems.

12" BNC INSTALLATION/REMOVAL TOOL

Specifications:

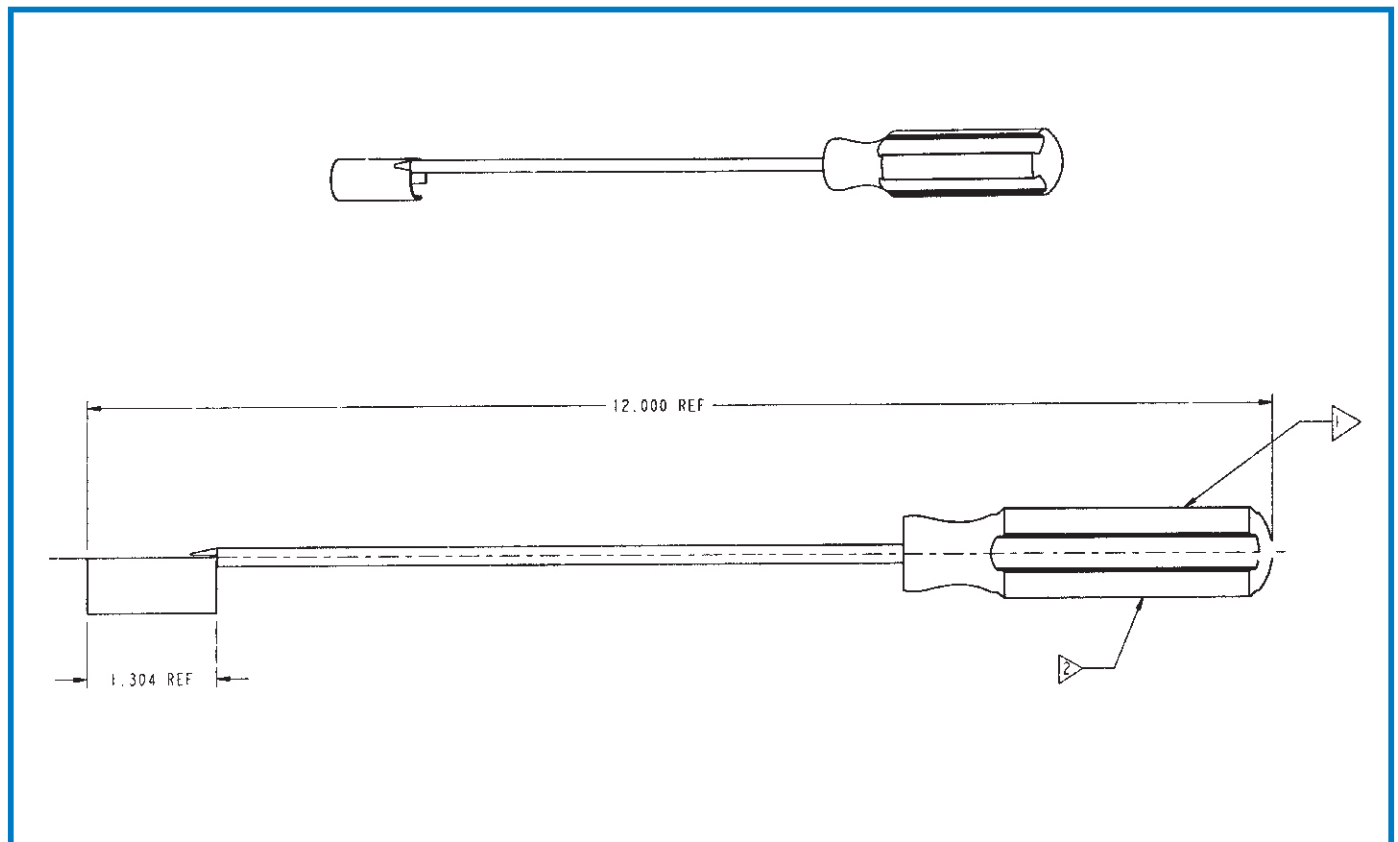
Materials:

Weight:	4.2 oz.
Dimensions:	12 inches
Shaft:	High strength tool steel
Finish:	Rust resistant clear zinc plating
Handle:	Extruded and polished resin

Ordering Information:

Part No.	Description
227-T1000	12" BNC removal tool

12" BNC Removal Tool



Amphenol[®]

One Kennedy Avenue
Danbury, Connecticut 06810
Telephone: (203) 743-9272
Fax: (203) 796-2032
www.amphenolcnp.com