

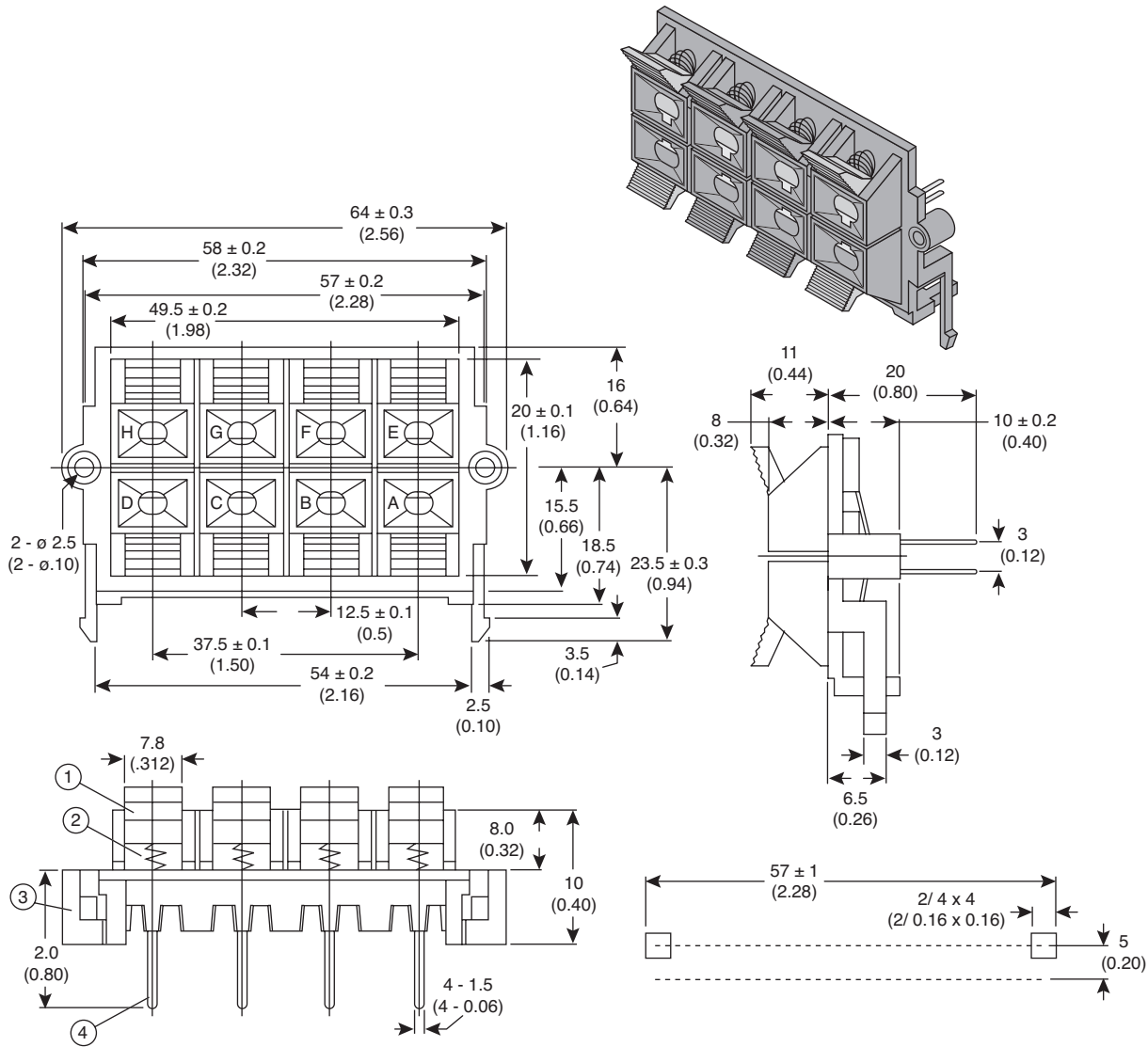
# Compression Terminal 8

151-CJ9011-E



Compression Terminal 8

151-CJ9011-E



## SPECIFICATIONS

<b>Contact Resistance:</b>	30m $\Omega$ max.
<b>Insulation Resistance:</b>	100M $\Omega$ min.
<b>Withstand Voltage:</b>	There shall be no burn caused by short circuit and insulation construction.
<b>Temperature Increase:</b>	30°C max. (DC 4A)
RoHS Compliant	

## Dimensions: mm (IN.)

No.	Part Name	Material
1	Knob Handling	A.B.S. PA-757
2	Spring	SWAP
3	Insulation Set	A.B.S. PA-757
4	Terminal	C2680R-H t=0.6

Date Last Revised: 8-24-06

**Available from Mouser Electronics**  
**1-800-346-6873**  
**www.mouser.com**

KC- 301062