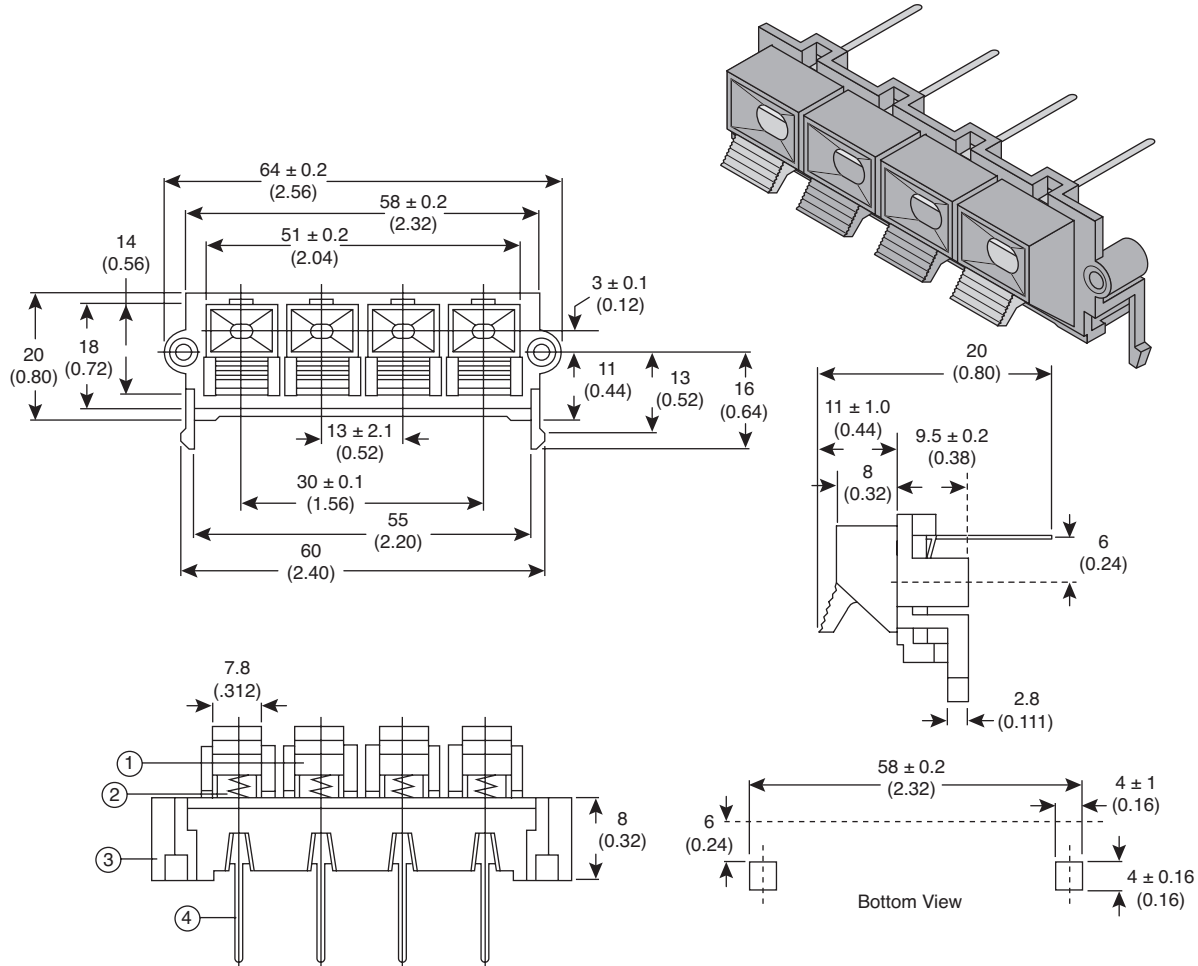


Compression Terminal 4

151-CJ9012-E



Compression Terminal 4



SPECIFICATIONS

Contact Resistance:	30m Ω max.
Insulation Resistance:	100M Ω min.
Withstand Voltage:	There shall be no burn caused by short circuit and insulation construction.
Temperature Increase:	30°C max. (DC 4A)
RoHS Compliant	

Dimensions: mm (IN.)

No.	Part Name	Material
1	Knob Handling	A.B.S. PA757
2	Spring	SWAP
3	Insulation Set	A.B.S. PA757
4	Terminal	C2680R-H t=0.6

Date Last Revised: 8-24-06

Available from Mouser Electronics
1-800-346-6873
www.mouser.com

KC- 301061

151-CJ9012-E