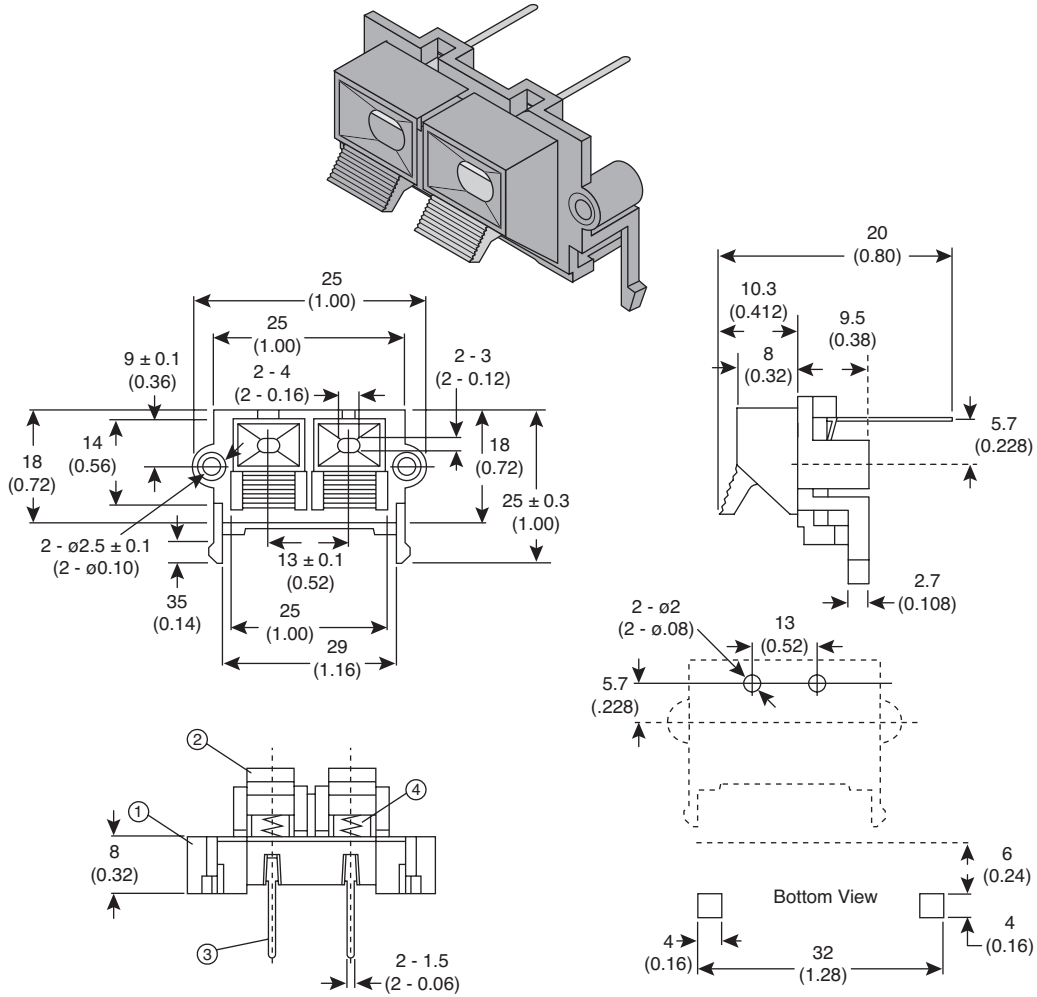


Compression Terminal 2

151-CJ9018-E



Compression Terminal 2



Dimensions: mm (IN.)

SPECIFICATIONS

Contact Resistance:	30m Ω max.
Insulation Resistance:	100M Ω min.
Withstand Voltage:	There shall be no burn caused by short circuit and insulation construction.
Temperature Increase:	30°C max. (DC 4A)
RoHS Compliant	

No.	Part Name	Material
1	Insulation Set	A.B.S. PA757
2	Knob Handling	A.B.S. PA757
3	Terminal	C2680R-H
4	Spring	SUS-304

Date Last Revised: 8-24-06

Available from Mouser Electronics
1-800-346-6873
www.mouser.com

KC-301060

151-CJ9018-E