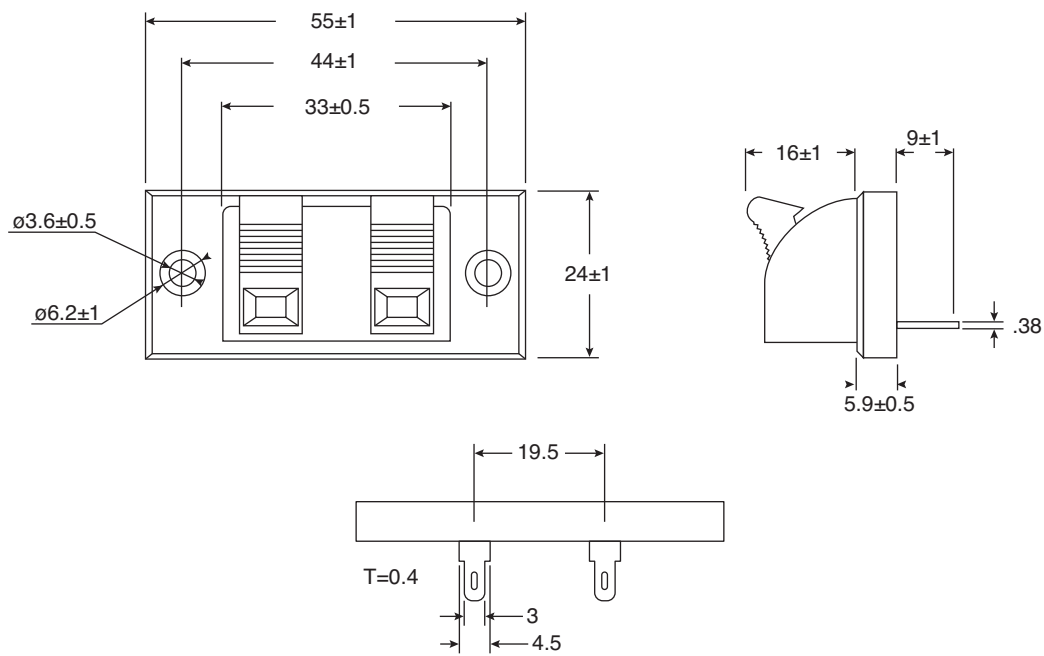


# Compression Terminal

151-R225-E



Compression Terminal



Dimensions: mm

SPECIFICATION:	
Rating:	10A 125VAC
Insulation Resistance:	DC 500V 100M $\Omega$ Min.
Dielectric Strength:	AC 1000V 1 Min.
RoHS Compliant	

Date Last Revised: 2/2/10

Available from Mouser Electronics  
1-800-346-6873 / [www.mouser.com](http://www.mouser.com)

KC-301250

151-R225-E

Specifications are subject to change without notice. No liability or warranty implied by this information. Environmental compliance based on producer documentation.