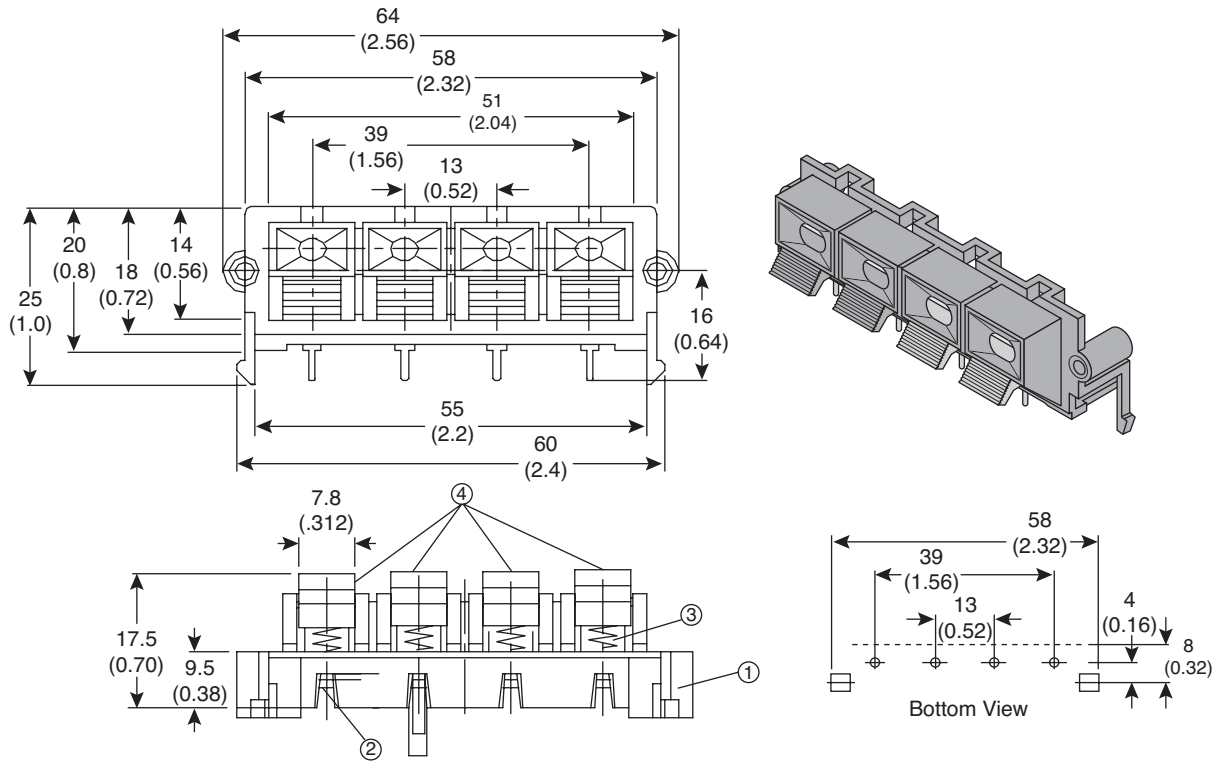


Compression Terminal 4

151-CJ9002E



Compression Terminal 4



Dimensions: mm (IN.)

| No. | Part Name | Material |
|-----|----------------|--------------------|
| 1 | Insulation Set | A.B.S. PA-757 94HB |
| 2 | Terminal-S | T= 0.6t |
| 3 | Spring | SWP |
| 4 | Knob Handling | A.B.S. PA-757 94HB |

| SPECIFICATIONS | |
|-------------------------------|---|
| Contact Resistance: | 30mΩ max. |
| Insulation Resistance: | 100MΩ min. |
| Withstand Voltage: | No burn caused by short circuit and insulation construction |
| Temperature Increase: | 30°C max. (DC 4A) |
| RoHS Compliant | |

Date Last Revised: 8-22-06

Available from Mouser Electronics
1-800-346-6873
www.mouser.com

KC- 301046

151-CJ9002E