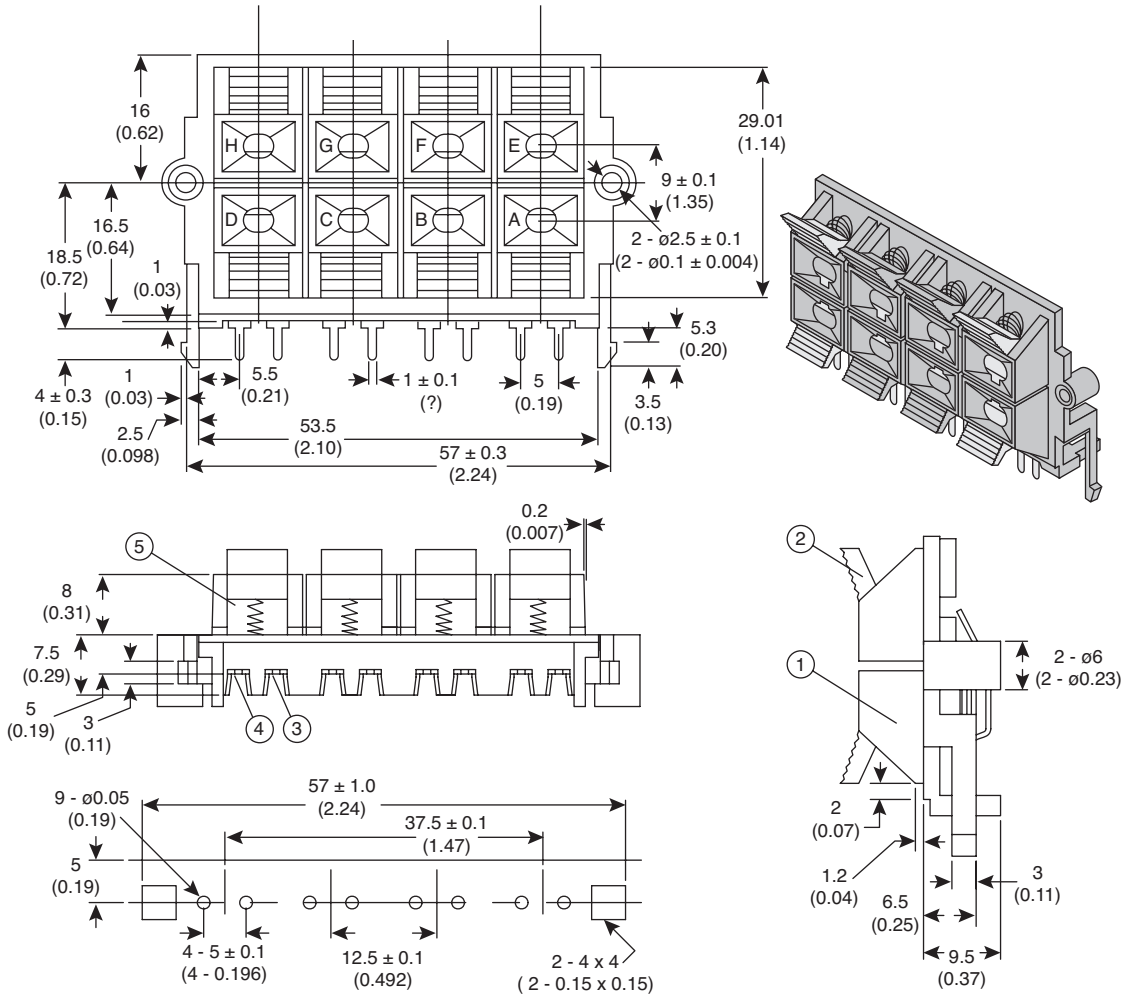


# Compression Terminal 8

151-CJ9031-E



Compression Terminal 8



## SPECIFICATIONS

|                               |                                   |
|-------------------------------|-----------------------------------|
| <b>Contact Resistance:</b>    | 30m Ω max.                        |
| <b>Insulation Resistance:</b> | 100M Ω min.                       |
| <b>Withstand Voltage:</b>     | AC 500V (50/60Hz) for one minute. |
| <b>Temperature Increase:</b>  | 30°C max. (DC 4A)                 |
| RoHS Compliant                |                                   |

## Dimensions: mm (IN.)

| No. | Part Name     | Material   |
|-----|---------------|------------|
| 1   | A.B.S. Base   | A.B.S. 757 |
| 2   | Knob Handling | A.B.S. 757 |
| 3   | Terminal-S    | C2680R-H   |
| 4   | Terminal-L    | C2680R-H   |
| 5   | Spring        | SUS-304    |

Date Last Revised: 8-24-06

Available from Mouser Electronics  
1-800-346-6873  
www.mouser.com

KC-301055

151-CJ9031-E