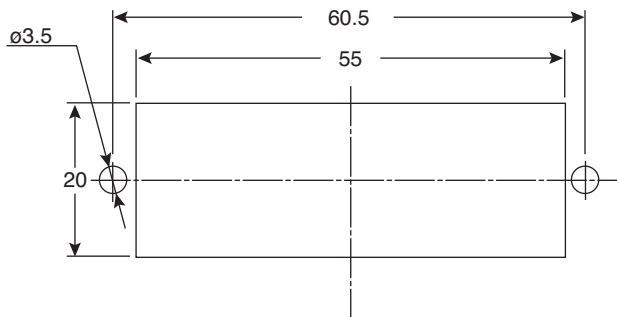
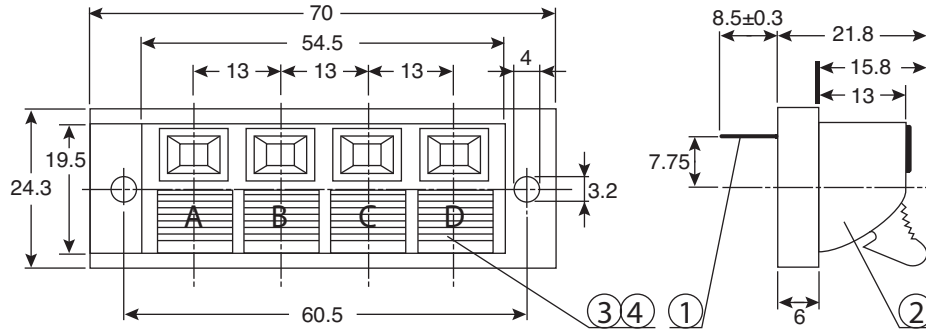


Compression Terminal

151-R242-E



Compression Terminal



CUT-OUT

Dimensions: mm

| MATERIAL SPECIFICATION: | | | | | |
|-------------------------|-------------|-----|-------------|---------------------------------|--------------|
| No. | Description | QTY | Material | Specification | Finish |
| 1 | Terminal | 4 | Brass Alloy | ---- | CuSn-plating |
| 2 | Housing | 1 | ABS PA757 | ---- | ---- |
| 3 | Knob | 4 | ABS PA757 | A:red,B:black, C:red,D:black | ---- |
| 4 | Spring | 4 | Steel Wire | ø0.5 | ---- |

RoHS Compliant

151-R242-E

Date Last Revised: 10-1-08

Available from Mouser Electronics
1-800-346-6873 / www.mouser.com

KC-301251

Specifications are subject to change without notice. No liability or warranty implied by this information. Environmental compliance based on producer documentation.