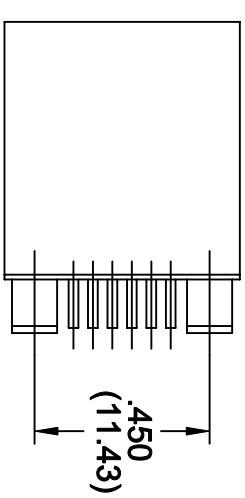
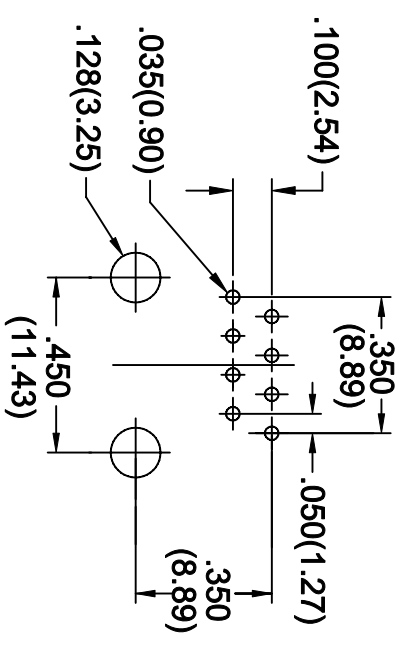
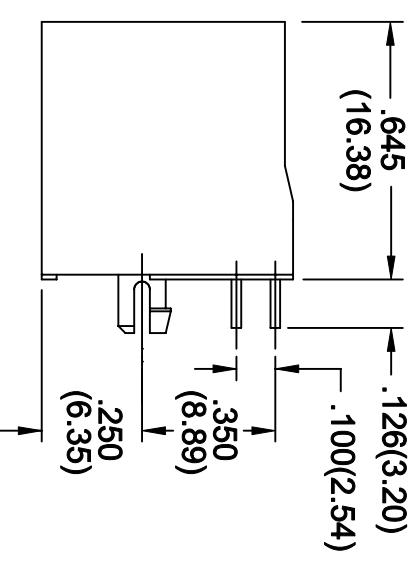
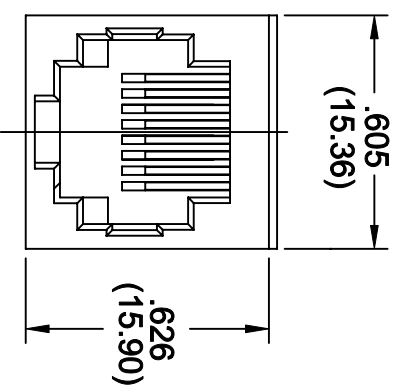
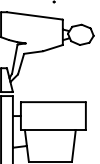
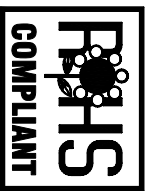


THIS IS A C.A.D. GENERATED DRAWING
DO NOT MAKE MANUAL REVISIONS TO MASTER.



NOTES

- MATERIAL:**
- HOUSING: PBT POLYESTER, UL94V-0 RATED**
- COLOR BLACK**
- CONTACTS: PHOSPHOR BRONZE**
- GOLD FLASH OVER NICKEL ON CONTACT AREA**
- TIN PLATING ON TAILS**



THIS SERIES FULLY CONFORMS TO THE
EUROPEAN UNION DIRECTIVES 2002/95/EC
AND 2002/96/EC FOR ROHS COMPLIANCY.

**MODULAR JACK TOP ENTRY PCB
8 POSITIONS**

EDAC INC
TORONTO, ONTARIO
CANADA

YOUR CONNECTION TO QUALITY & SERVICE

THESE DRAWINGS AND SPECIFICATIONS
ARE THE PROPERTY OF EDAC INC. AND
SHALL NOT BE REPRODUCED, OR COPIED
OR USED AS THE BASIS FOR THE
MANUFACTURE OR SALE OF APPARATUS
WITHOUT WRITTEN PERMISSION.

ACAD REFERENCE NO.	A00-108-220-450
DRAWN: R.BLAKELY	DATE: NOV. 13/06
CHECKED:	DATE:
PART NUMBER	A00-108-220-450
DRAWING NUMBER	A00-108-220-450
ISSUE	2