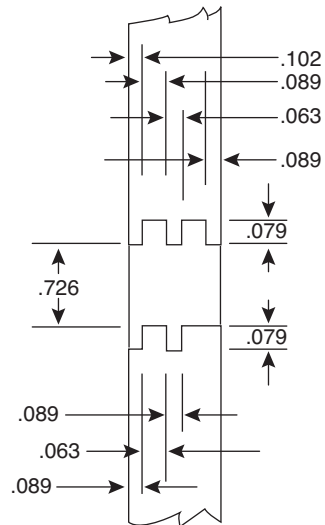
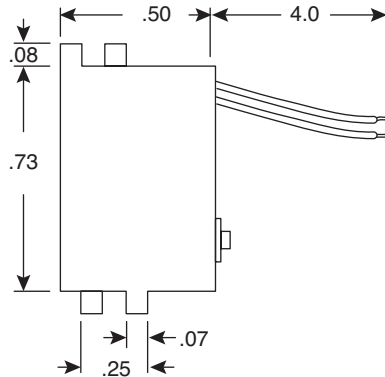
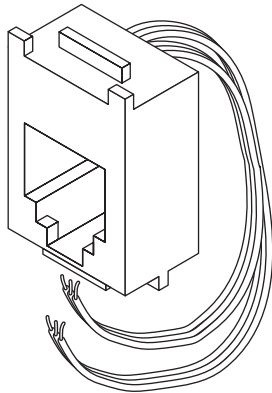


Modular Jack

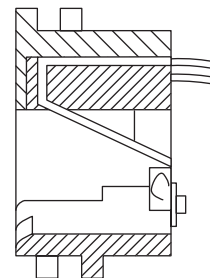
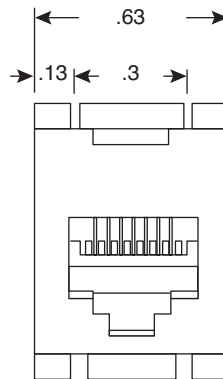
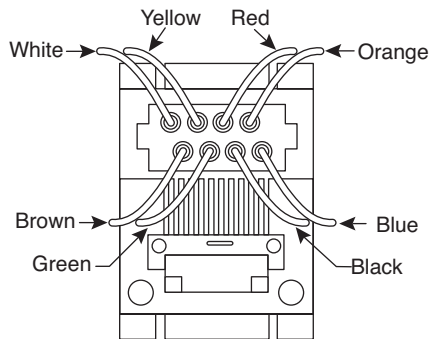
154-7641D, 154-7647, 154-UL641D



Modular Jack



Panel cut out



Dimensions: In.

SPECIFICATIONS	
Wire Leads:	Phosphor Bronze Alloy 1.77"
Housing:	ABS molding compound
Color:	Gray
Positions-contacts:	8-8
Contacts:	6 Micron gold plate (154-7641D, 7647) 50 Micron gold plate (154-UL641D)
USOC type:	RJ45
Western electric type:	641D
Wire gauge:	26 AWG

Date Last Revised: 10/14/05

Available from Mouser Electronics
1-800-346-6873
www.mouser.com

KC-300083

154-7641D, 154-7647, 154-UL641D