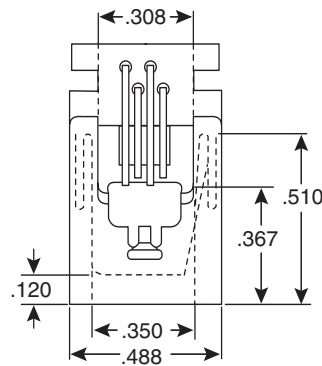
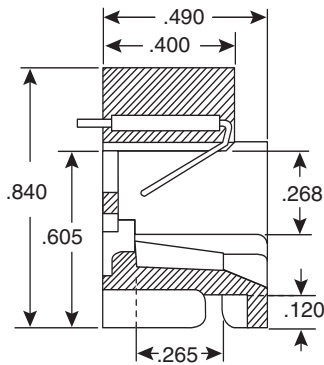
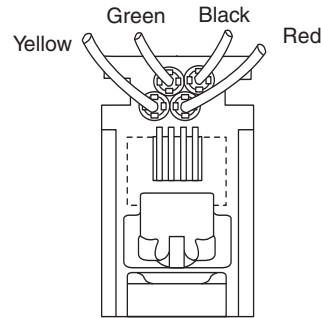
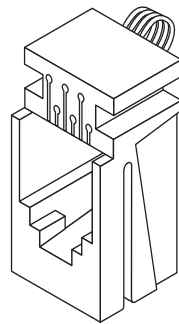


# Modular Jack

154-7616P

KOBI CONN

Modular Jack



Dimensions: In.

## SPECIFICATIONS

Type:	USOC Modular Handset
Leads:	4" PVC Insulated
Color:	Gray
Contacts:	6 Micron Gold Plated

Date Last Revised: 4-21-05

Available from Mouser Electronics  
1-800-346-6873  
www.mouser.com

KC-300606

154-7616P