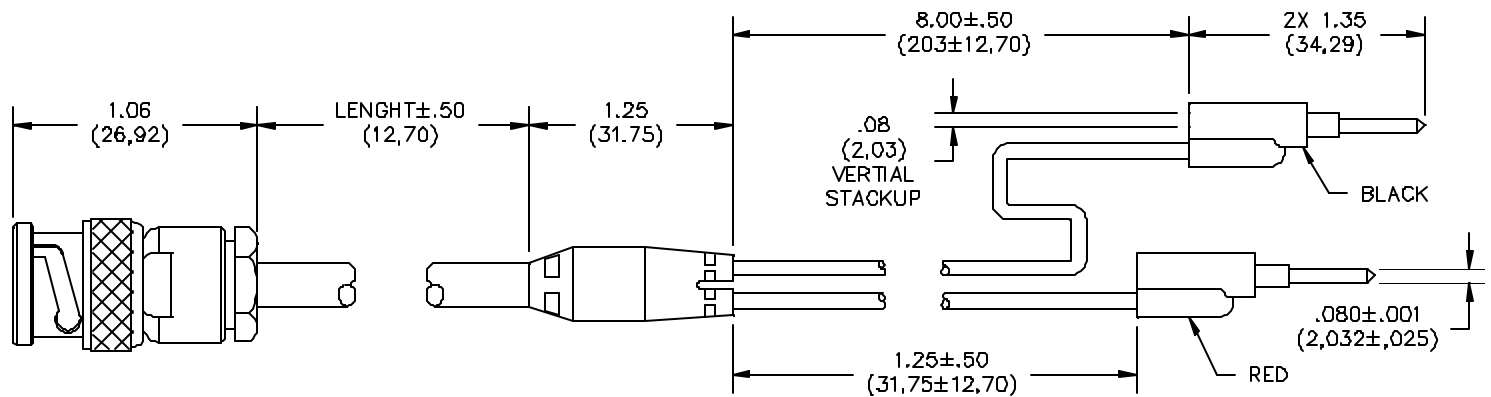


## Model 2882 BNC (Male) To Stacking Pin Tip Plugs



### FEATURES:

- Cable interfaces a BNC based instrument to pin tip jacks.
- Shielding from BNC to the pin tip breakout area reduces the effect of signal leakage or noise interference.
- Pin tip plugs are vertically stackable for added test versatility.
- Pin tip plug and spring are gold plated for low contact resistance to ensure signal integrity.
- BNC connector center contact is gold plated and the dielectric is PTFE for superior performance.
- Schematic: Red pin tip plug to BNC center contact, Black pin tip plug to BNC Shell.

### MATERIALS:

BNC: Body – Brass, Tarnish Resistant

Center Contact: Brass, Gold Plated

Dielectric: PTFE

Cable: RG58C/U, 50 Ohm Impedance, Capacitance: 30.8 pF/Ft., .195" (5.0mm) O.D. Nom. Color: Black.

Marking: POMONA 2882-C-xx

Molded Breakout: PVC molded to the coaxial cable and breakout leads. Color: Black  
 Breakout Leads: 20 AWG, 41 x 36 t.c., .087" (2,21mm) O.D. Color matches pin tip plug  
 Pin Tip Plugs: Body – Brass, Gold Plated  
 Spring: Beryllium Copper, Gold Plated  
 Insulation: Polypropylene, molded to the pin tip body and wire. Color: one black, one red.

### RATING:

Operating Voltage: Hand-held Testing:  
 30VAC/60VDC Max.

Hands Free Testing in Controlled Voltage  
 Environments: 500 VRMS  
 Operating Temperature: +50°C (+122°F)

### ORDERING INFORMATION: Model 2882-C-XX

XX = Length in inches, Standard Lengths: 18" (45.72cm), 24" (60.95cm), 36" (91.44cm), 48" (121.92cm), 60" (152.40cm)

Ordering Ex: 2882-C-18, Cable length is 18 inches long excluding the BNC connector, molded breakout, and pin tip plugs & leads. Additional lengths can be quoted upon request.

All dimensions are in inches. Tolerances (except noted): .xx = ±.02" (.51 mm), .xxx = ± .005" (.127 mm).  
 All specifications are to the latest revisions. Specifications are subject to change without notice.  
 Registered trademarks are the property of their respective companies. Made in USA

6/9/99

SY/EH/LS

S:\Engineering\Release\DataSheets\FI\ukeDataSheet\d2882\_1\_01.doc

Sales: 800-490-2361 Fax: 888-403-3360

Technical Assistance: 800-241-2060

PomonaACCESS 90309 (800) 444-6785 or (425) 446-6010  
 More drawings available at [www.pomonaelectronics.com](http://www.pomonaelectronics.com)

Page 1 of 1