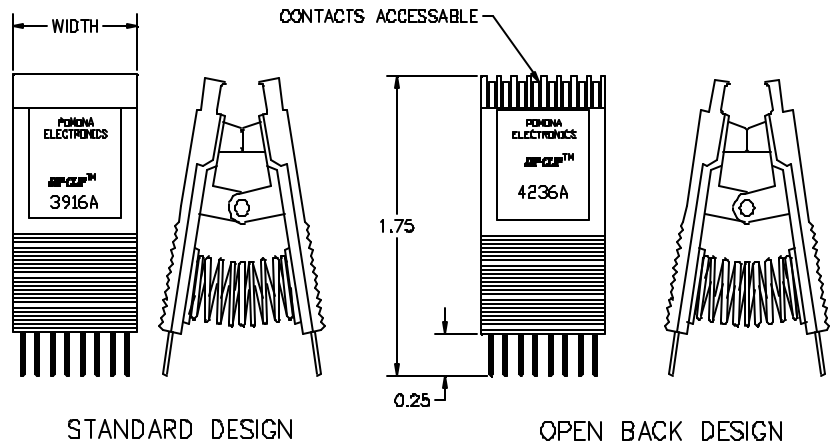


DIP Clips® for 8-14-16-20-24-40 Pin Clips And 8 Through 40 Pin DIP Removers

Pomona DIP Clip® test clips are designed for testing dual-in-line IC packages on PC boards. These devices incorporate many built-in features that assure a positive electrical connection as well as hands free testing.

- Contacts (.040" wide on lower end) are serrated for the best electrical contact.
- .025" X .028" serrated test points on upper end will accept wire wraps or mini test clips.
- Molded barriers between contacts allows live board connections without accidental shorting of contacts.



- Can also be used as an insertion tool for DIPs.
- Contacts are spring tempered Nickel Silver or Gold Plated Beryllium Copper alloy. Oxide penetrating clips have a roughened stainless steel surface treatment.
- Open back option allows probing on the chip leads while clip is attached.

Pomona's DIP Clip® test clips are perfect for emulation, field service, failure analysis, and for use with logic analyzers.

Size Pins	Clip Width	Standard DIP Clip®	Open Back DIP Clip®	Contact Material and Plating	Oxide Penetrating DIP Clip®	Static Control DIP Remover
8	.43	5108	5208	Be-Cu, Gold Plate	5649	5016
14	.72	5014	5114	Nickel Silver	5650	5016
		5214	5314	Be-Cu, Gold Plate	5650	5016
16	.83	3916A	4236A	Nickel Silver	5692	5016
		5116	5216	Be-Cu, Gold Plate	5692	5016
20	1.03	5120	5220	Be-Cu, Gold Plate	5693	5016
24	1.22	4124A	4324A	Nickel Silver	5694	5024
		5124	5224	Be-Cu, Gold Plate	5694	5024
40	2.02	4140A	4340A	Nickel Silver	5695	5040
		5140	5240	Be-Cu, Gold Plate	5695	5040

All dimensions are in inches. Tolerances (except noted): .xx = ±.02" (.51 mm), .xxx = ±.005" (.127 mm).
All specifications are to the latest revisions. Specifications are subject to change without notice.
Registered trademarks are the property of their respective companies. Made in USA

4/16/02

SY/EH/LS

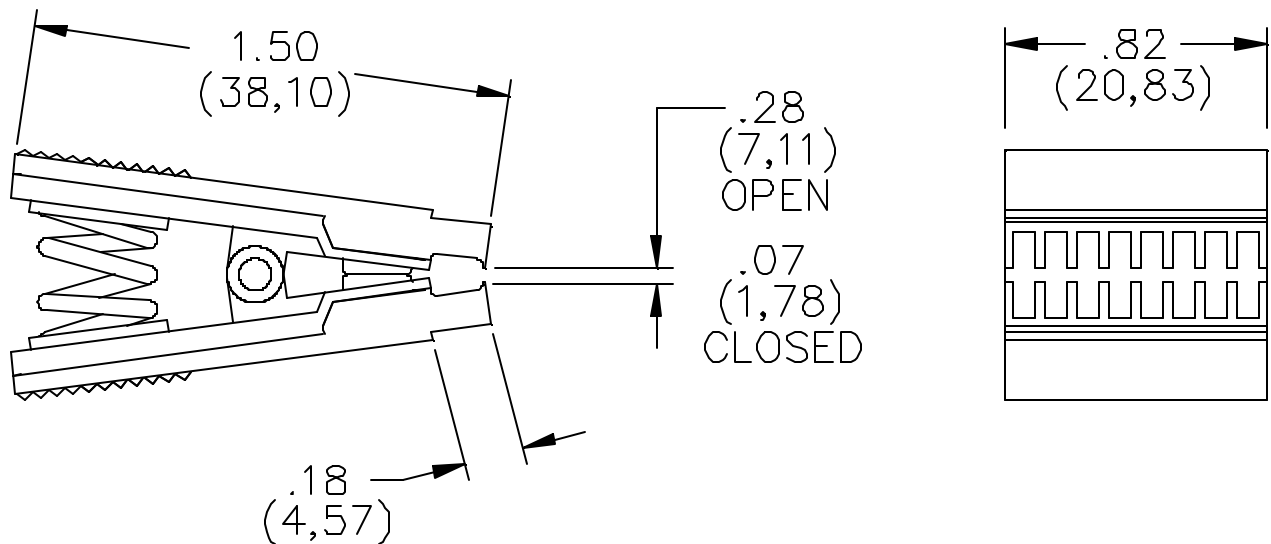
T:\Release\DataSheets\FlukeDataSheet\FlukeDataSheet\Dip_Clips_4386_2_01.doc

Sales: 909-469-2900 Fax: 909-629-3317
Technical Assistance: 800-241-2060

PomonaACCESS 90220 (800) 444-6785 or (949) 253-3858
More drawings available at www.pomonaelectronics.com

Page 1 of 2

DIP Clips® for 8-14-16-20-24-40 Pin Clips And 8 Through 40 Pin DIP Removers



FEATURES:

- For use with 14 or 16 Dual-In-Line I.C. packages.

MATERIALS:

Insulation: Glass filled nylon. Color: Red.

Hinge Pin: Stainless steel 302, passivated per QQ-P-35.

RATINGS:

Operating Temperature: +102°C. (+216°F.) Max.

ORDERING INFORMATION: Model 4386

All dimensions are in inches. Tolerances (except noted): .xx = ±.02" (.51 mm), .xxx = ± .005" (.127 mm).

All specifications are to the latest revisions. Specifications are subject to change without notice.

Registered trademarks are the property of their respective companies. Made in USA