



FEATURES

- Self-powered, only two connections required
- -4.5 to -20Vdc, -18 to -50Vdc, and -30 to -264Vdc models
- Can be used with positive-reading DMS-20PC-DCM's
- Ultra-low power consumption (8mA typ.)
- 0.37"/9.4mm high, bright red, LED displays
- Subminiature 1.38" x 0.88" x 1.0" packages

Functional Specifications

Input

Voltage Range: ①

DMS-20PC-4-DCM	-4.50 to -19.99Vdc
DMS-20PC-5-DCM	-18.0 to -50.0Vdc
DMS-20PC-6-DCM	-30 to -264Vdc

Current Consumption:

DMS-20PC-4/5-DCM	13mA (max.)
DMS-20PC-6-DCM	7mA (max.)

Performance

Sampling Rate 2.5 readings/second

Resolution:

DMS-20PC-4-DCM	±0.01V
DMS-20PC-5-DCM	±0.1V
DMS-20PC-6-DCM	±1V

Accuracy @ +25°C:

DMS-20PC-4-DCM	±0.01V (typ.), ±0.03V (max.)
DMS-20PC-5-DCM	±0.1V (typ.), ±0.2V (max.)
DMS-20PC-6-DCM	±1V (typ.), ±2V (max.)

Mechanical

Dimensions 1.38" x 0.88" x 1.00"

Display Type 3 & 3½ digit, red LED, 0.37"/9.4mm

Weight 1 ounce (28 grams)

Case Material Polycarbonate

Environmental

Operating Temperature -25 to +60°C

Storage Temperature -40 to +75°C

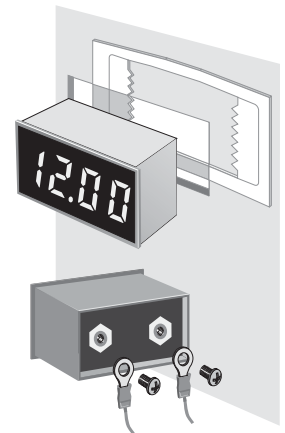
Humidity (Non-condensing) 0 to 95%

① Operation and accuracy at inputs above or below this range are not specified.

DATEL's DMS-20PC-DCM Series of self-powered, negative-reading, dc voltage monitors are great replacements for older, hard-to-read, analog meters. Simply connect a negative voltage across the rear terminals and the meters are fully operational! Negative-input DCM's can be easily combined with positive-reading DMS-20PC-DCM's for monitoring dual-polarity power supplies.

Three versions are available: one for -4.50 to -19.99Vdc (0.01V resolution), one for -18.0 to -50.0Vdc (0.1V resolution), and one for -30 to -264Vdc (1V resolution). Their large, 0.37"/9.4mm, bright red LED displays can be easily read from 15 feet away. Built-in reverse polarity protection assures simple, trouble-free installation.

All DMS-20PC-DCM's employ a high-resolution, 3½ digit A/D converter and precision metal-film resistors to achieve outstanding performance over an operating temperature range of -25 to +60°C. A rugged, epoxy-encapsulated, polycarbonate case provides excellent protection against moisture, shock and vibration.



Typical panel mount installation and suggested wiring (user supplied)

Ordering Information

DMS-20PC-4-DCM	-4.50 to -19.99V dc voltage monitor
DMS-20PC-5-DCM	-18.0 to -50.0V dc voltage monitor
DMS-20PC-6-DCM	-30 to -264V dc voltage monitor
DMS-20-CP	Panel cutout punch
DMS-BZL3	Panel mount bezel assembly
DMS-BZL4	Panel mount bezel with sealing gasket

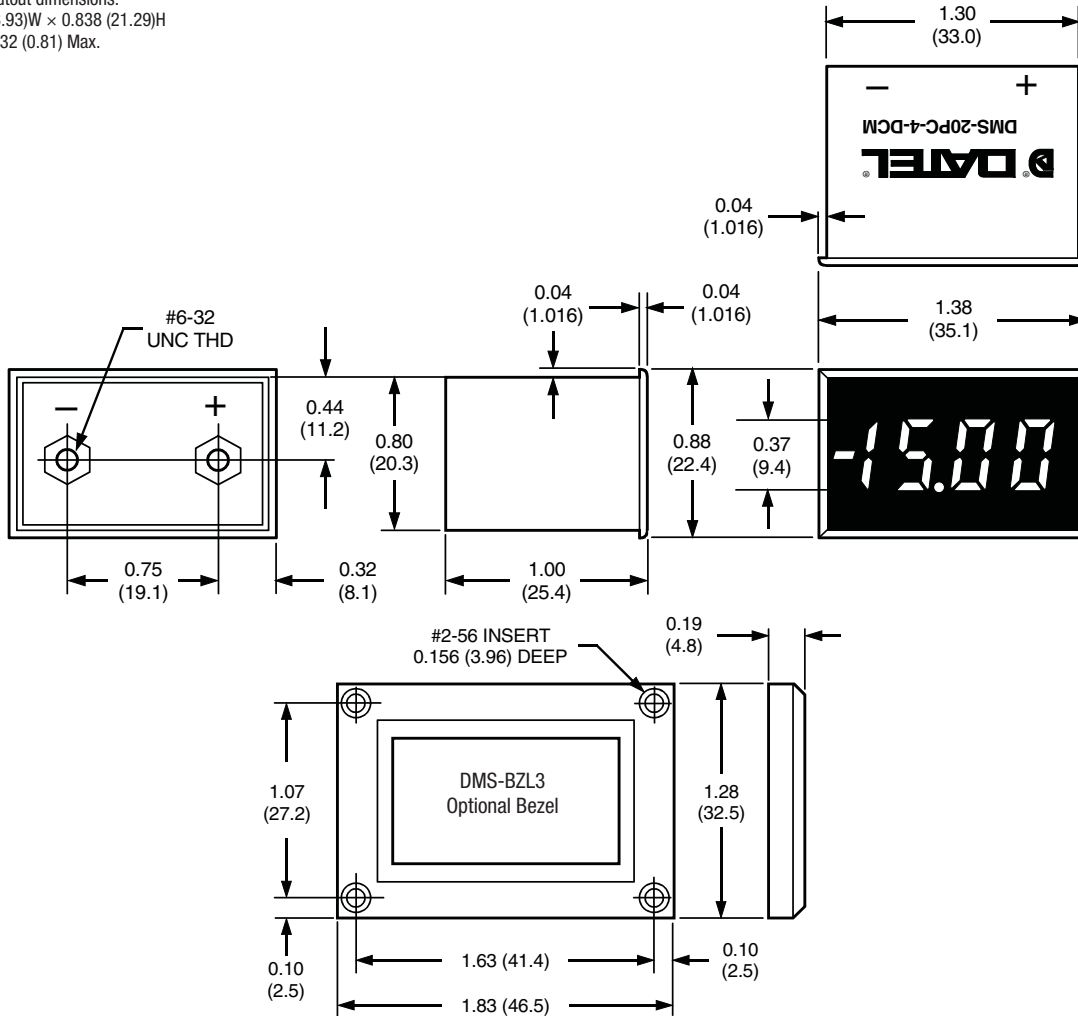
Brass screws (6-32 thread) and a panel-mount retaining clip are supplied with each meter



For full details go to
www.murata-ps.com/rohs

Self-Powered LED Display, Negative Input DC Voltage Monitor

Dimensions in inches (millimeters)
 Tolerances: 2 PL Dec ± 0.02 (± 0.51)
 3 PL Dec ± 0.010 (± 0.254)
 Recommended panel cutout dimensions:
 1.336 (33.93)W \times 0.838 (21.29)H
 Internal corner radii 0.032 (0.81) Max.



Murata Power Solutions, Inc.
 11 Cabot Boulevard, Mansfield, MA 02048-1151 U.S.A.
 ISO 9001 and 14001 REGISTERED

Murata Power Solutions, Inc. makes no representation that the use of its products in the circuits described herein, or the use of other technical information contained herein, will not infringe upon existing or future patent rights. The descriptions contained herein do not imply the granting of licenses to make, use, or sell equipment constructed in accordance therewith. Specifications are subject to change without notice.
 © 2011 Murata Power Solutions, Inc.