

# Transformers

## For Power Supply

### SMD

## LDT Series LDT5656 Type

These are ultra-low-profile compact multi-output power supply transformers that increase the flexibility in designing compact and thin digital devices, including digital cameras.

### FEATURES

- With a height of only 2 mm (or 3 mm), these products are optimally suited as power supply transformers for small and thin devices.
- They are lightweight with a mass of 0.2g (0.25g).
- Because the coiled terminals and terminals that are attached to the board are separated from each other, these transformers can be mounted and soldered to boards with a high degree of reliability.
- These products support lead-free soldering.

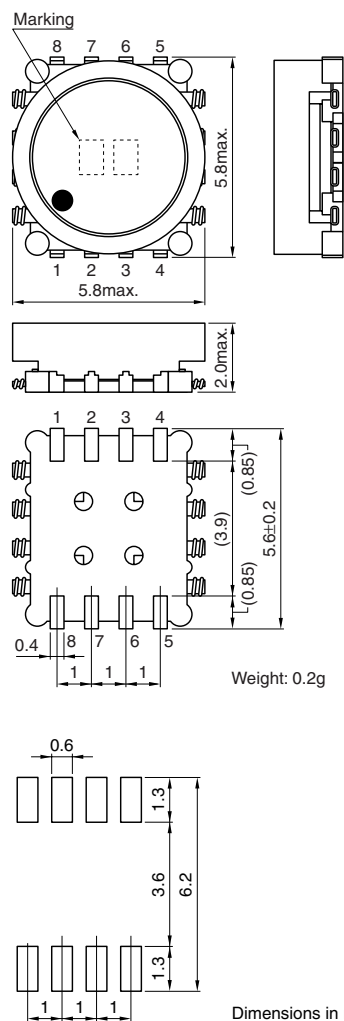
### APPLICATIONS

DC to DC converter transformers in small and thin electronic devices, CCD power supplies, LCD power supplies, digital still cameras, digital movie cameras and pocket game machines, etc.

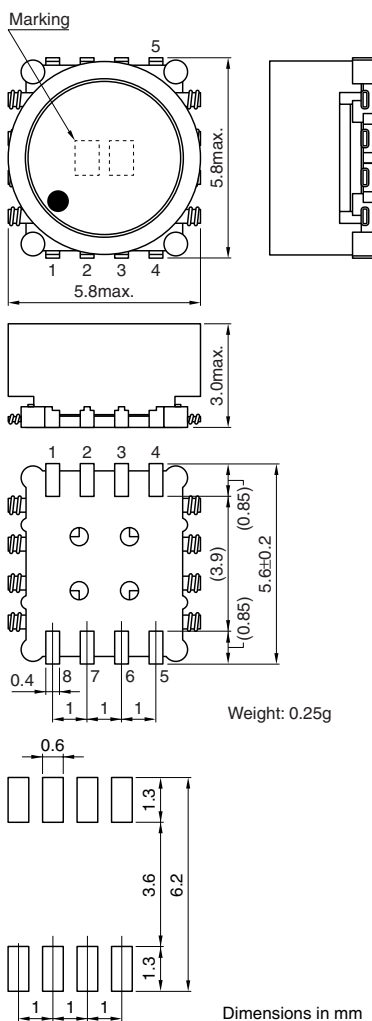


### SHAPES AND DIMENSIONS/RECOMMENDED PC BOARD PATTERN

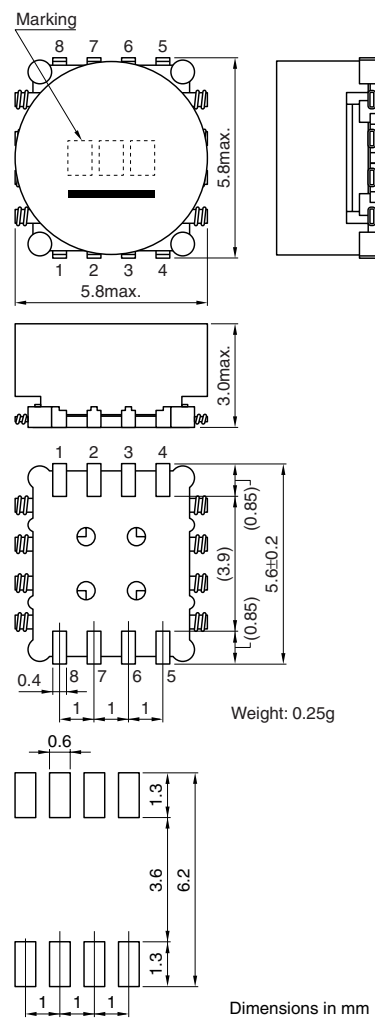
#### LDT565620T



#### LDT565630T



#### LDT565630T-00



• All specifications are subject to change without notice.



# Transformers

## For Power Supply

### SMD

## LDT Series LDT5656 Type

### ELECTRICAL CHARACTERISTICS

#### For DC to DC Converters

Part No.	LDT565620T	LDT565630T	LDT565630T-00
Power supply efficiency	70% [When a power supply control IC is used]	70% [When a power supply control IC is used]	70% [When a power supply control IC is used]
Temperature rise $\Delta T$	10°C[Output power: 0.5W]	10°C[Output power: 0.7W]	10°C[Output power: 0.7W]
Maximum output power	0.7W	1W	1W

### TYPICAL CIRCUIT

