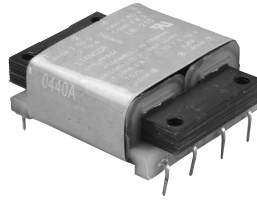


PRINTED CIRCUIT TRANSFORMERS

"Low Boy" LB Series

Stancor® Low Boy™
Low Profile



LB-210



Sec.	STANCOR PART NUMBER	VA	Primary Winding	Rated Output						DIMENSIONS - INCHES						Weight (lbs.)	Agency-Certif.		
				AC/DC	Individual Volts	Individual mA	Series Volts	Series mA	Parallel Volts	Parallel mA	H	W	L	MW	ML			A	B
A	LB-210	2.0	Dual	AC	-	-	10.0 C.T.	200	5.0	400	0.63	1.56	1.88	0.88	1.62	1.6	0.38	0.28	RL
	LB-310	3.0	Dual	AC	-	-	10.0 C.T.	300	5.0	600	0.63	1.56	1.88	0.88	1.62	1.6	0.38	0.28	RL
B	LB-610	6.0	Dual	AC	-	-	10.0 C.T.	600	5.0	1200	0.88	1.56	1.88	0.88	1.62	1.6	0.38	0.34	RL
C	LB-612	6.0	Dual	AC	-	-	12.6 C.T.	450	6.3	900	0.88	1.56	1.88	0.88	1.62	1.6	0.38	0.34	RL
	LB-1212	12.0	Dual	AC	-	-	12.6 C.T.	900	6.3	1800	1.06	2.00	2.50	1.00	2.00	2.0	0.50	0.72	RL
	LB-215	2.0	Dual	AC	-	-	15.0 C.T.	150	7.5	300	0.63	1.56	1.88	0.88	1.62	1.6	0.38	0.28	RL
	LB-315	3.0	Dual	AC	-	-	15.0 C.T.	225	7.5	450	0.63	1.56	1.88	0.88	1.62	1.6	0.38	0.28	RL
D	LB-616	6.0	Dual	AC	-	-	16.0 C.T.	350	8.0	700	0.88	1.56	1.88	0.88	1.62	1.6	0.38	0.34	RL
	LB-1216	12.0	Dual	AC	-	-	16.0 C.T.	700	8.0	1400	1.06	2.00	2.50	1.00	2.00	2.0	0.50	0.72	RL
	LB-420	4.0	Dual	AC	-	-	20.0 C.T.	200	10.0	400	0.88	1.56	1.88	0.88	1.62	1.6	0.38	0.34	RL
	LB-520	5.0	Dual	AC	-	-	20.0 C.T.	250	10.0	500	0.88	1.56	1.88	0.88	1.62	1.6	0.38	0.34	RL
E	LB-620	6.0	Dual	AC	-	-	20.0 C.T.	300	10.0	600	0.88	1.56	1.88	0.88	1.62	1.6	0.38	0.34	RL
	LB-1220	12.0	Dual	AC	-	-	20.0 C.T.	600	10.0	1200	1.06	2.00	2.50	1.00	2.00	2.0	0.50	0.72	RL
	LB-424	4.0	Dual	AC	-	-	24.0 C.T.	167	12.0	333	0.88	1.56	1.88	0.88	1.62	1.6	0.38	0.34	RL
	LB-624	6.0	Dual	AC	-	-	24.0 C.T.	250	12.0	500	0.88	1.56	1.88	0.88	1.62	1.6	0.38	0.34	RL
F	LB-1224	12.0	Dual	AC	-	-	24.0 C.T.	500	12.0	1000	1.06	2.00	2.50	1.00	2.00	2.0	0.50	0.72	RL
	LB-634	6.0	Dual	AC	-	-	34.0 C.T.	170	17.0	340	0.88	1.56	1.88	0.88	1.62	1.6	0.38	0.34	RL
	LB-1234	12.0	Dual	AC	-	-	34.0 C.T.	340	17.0	680	1.06	2.00	2.50	1.00	2.00	2.0	0.50	0.72	RL
	LB-640	6.0	Dual	AC	-	-	40.0 C.T.	150	20.0	300	0.88	1.56	1.88	0.88	1.62	1.6	0.38	0.34	RL
G	LB-1240	12.0	Dual	AC	-	-	40.0 C.T.	300	20.0	600	1.06	2.00	2.50	1.00	2.00	2.0	0.50	0.72	RL
	LB-256	2.0	Dual	AC	-	-	56.0 C.T.	45	28.0	90	0.63	1.56	1.88	0.88	1.62	1.6	0.38	0.28	RL
H	LB-656	6.0	Dual	AC	-	-	56.0 C.T.	100	28.0	200	0.88	1.56	1.88	0.88	1.62	1.6	0.38	0.34	RL
I	LB-6230	6.0	Dual	AC	-	-	230.0 C.T.	25	115.0	50	0.88	1.56	1.88	0.88	1.62	1.6	0.38	0.34	RL
	LB-12230	12.0	Dual	AC	-	-	230.0 C.T.	50	115.0	100	1.06	2.00	2.50	1.00	2.00	2.0	0.50	0.72	RL

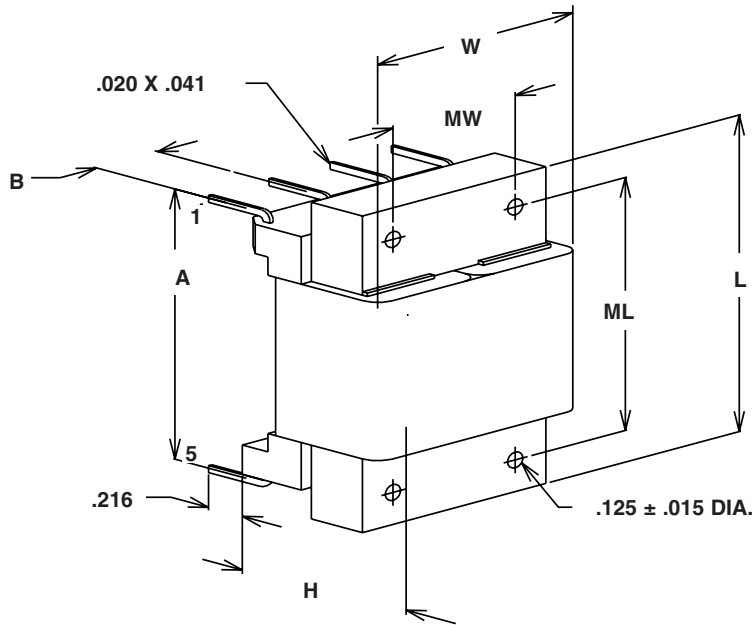


* Agency Certification Note: UL Recognized (File E68100)

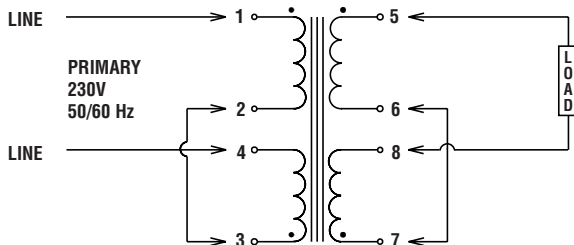
Primaries are 115/230V 50/60Hz, 8 Pins

For schematic diagrams and outline drawing refer to page 26.

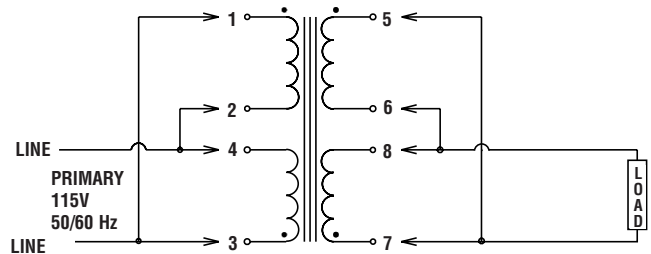
“Low Boy” LB Series



**LB Type
(Series Connections)**



**LB Type
(Parallel Connections)**



TECH TIP

Explanation of Low Boy Interconnections

Because of the toroidal effect, two *identical* coils are connected in series or parallel, but one of the coils must be connected in reverse in order to get correct **polarity** and voltage.

